

General Information on the **HMI** HOYME MOTORIZED FLUE AIR CONTROL DAMPER

This in-line motorized Flue damper is CSA (Can/USA) certified up to 12" Ø.
Sizes illustrated here range from 10" to 30" in increments of 1".

(Contact factory for smaller sizes of a similar design.)

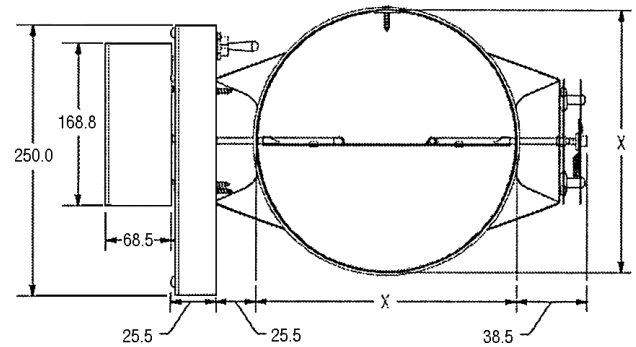
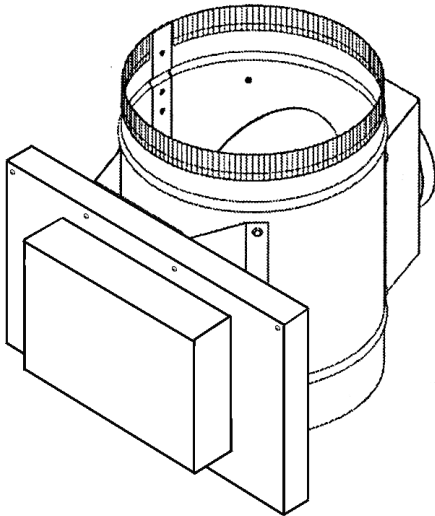
Dampers include a 24Vac Belimo Actuator and include a Test/Run Switch for manual override and appliance troubleshooting.

The I.D. for the Motorized Flue Air Control Damper illustrated here is:

HAC-xx41-SPC-F

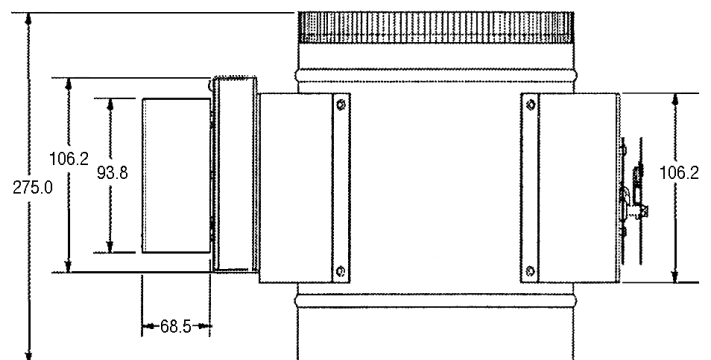
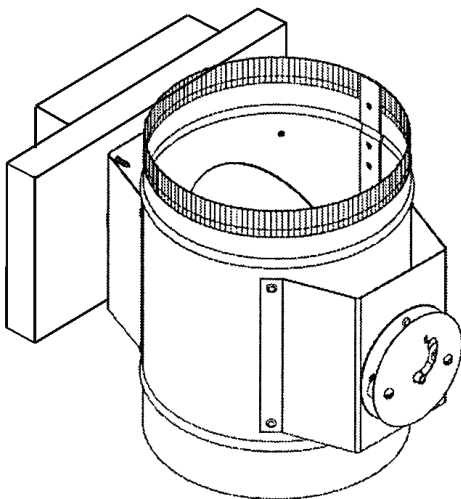
(where "xx" = Diameter of Damper in inches.)

(HAC Flue Damper, Interlocking, Fail Safe Open)



Note 1"= 25mm

NOTE: "X" = 250 TO 750 IN INCREMENTS OF 25mm



Motorized Air Control Dampers by **HMI** HOYME MANUFACTURING INC.

Email: hoyme@hoyme.com

Website: www.hoyme.com

PHONE 1 800 661-7382 TOLL FREE

FAX 1 800 661-8065 TOLL FREE