

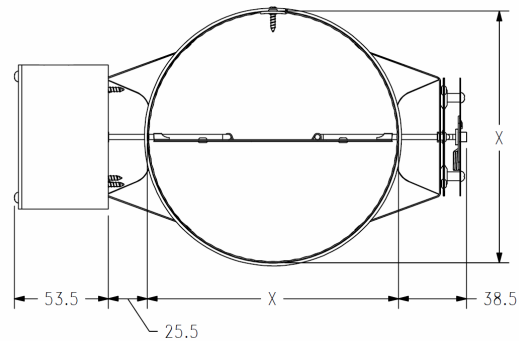
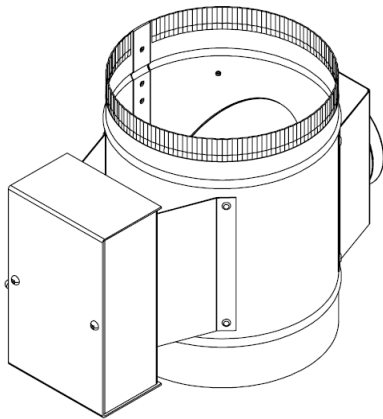
General Information on the **HMI** HOYME UNIVERSAL AIR CONTROL DAMPER

The Universal Motorized Air Control Damper is an in-line damper used for several applications such as fresh air inlets, stale air outlets, heat recovery ventilators, zone air, flue dampers and also the control of air through humidifiers. These various applications require different configurations and are identified by specific numbers and letters. The basic diameter sizes illustrated here range from 4" to 9" in increments of 1". Please refer to the Hoyme web at www.hoyme.com for specific differences in dampers applicable to a particular application.

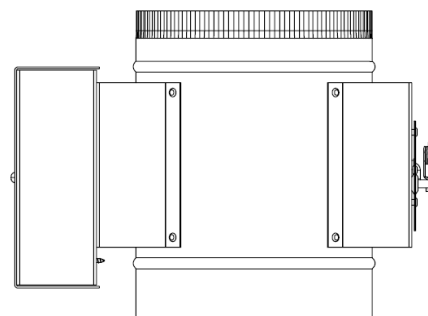
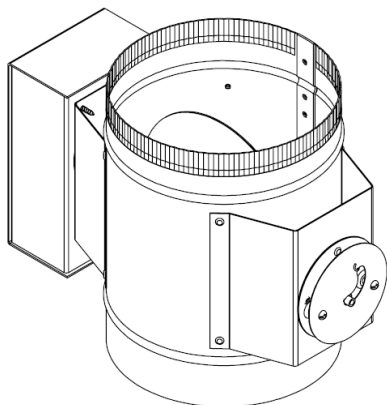
The I.D. for this Universal Air Control Damper is:

HAC-0x11-OPC/PO-H where "x" = Diameter of Damper in inches.
**(This is a 24 Vac HAC Damper with one Motor - Spring Return,
Power Open or Power Closed with Relay - Designed for Heat)**

Damper is similar but may not be exactly as illustrated.



Note 4"= 100mm
NOTE: "X" = 100 TO 225 IN INCREMENTS OF 25mm



Motorized Air Control Dampers by **HMI** HOYME MANUFACTURING INC.

1251-ld

Email: hoyme@hoyme.com
Website: www.hoyme.com

PHONE 1 800 661-7382 TOLL FREE
FAX 1 800 661-8065 TOLL FREE