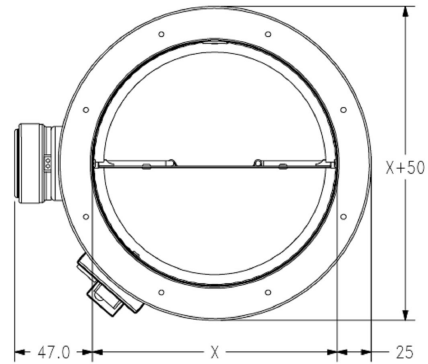
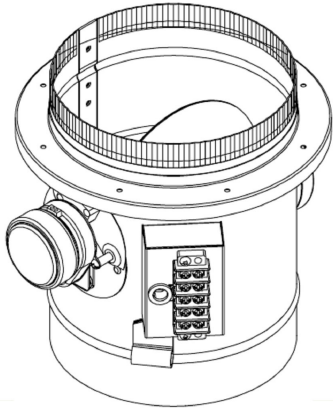


General Information on the **HMI** HOYME
UNIVERSAL AIR CONTROL DAMPER

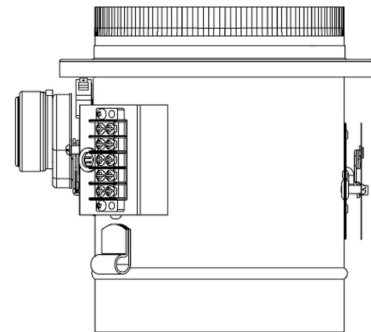
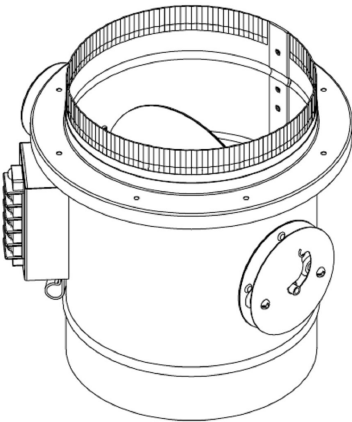
The **Universal Motorized Air Control Damper** is an in-line damper used for several applications such as fresh air inlets, stale air outlets, heat recovery ventilators, zone air, flue dampers and also the control of air through humidifiers. These various applications require different configurations and are identified by specific numbers and letters. The basic diameter sizes illustrated here range from 4" to 9" in increments of 1". Please refer to the Hoyme web at www.hoyme.com for specific differences in dampers applicable to a particular application.

The I.D. for this Universal Air Control Damper is:
HAC-0x11-SPC/PO where "x" = Diameter of Damper in inches.
(This is an HAC Damper with one Motor, a Relay and an End Switch - Spring Return, Power Closed or Power Open).

Damper is similar but may not be exactly as illustrated.



Note: 4" = 100mm
NOTE: "X" = 100 TO 225 IN INCREMENTS OF 25mm



LENGTH = 200mm

Colored wiring diagrams showing various types of HAC dampers are shown on our webpage at www.hoyme.com.