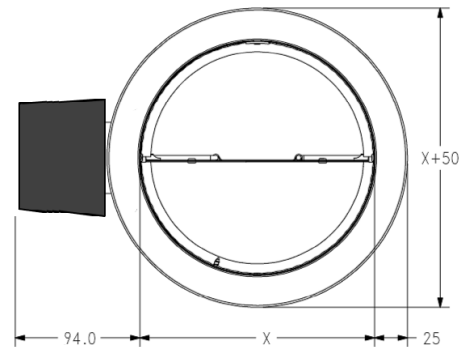
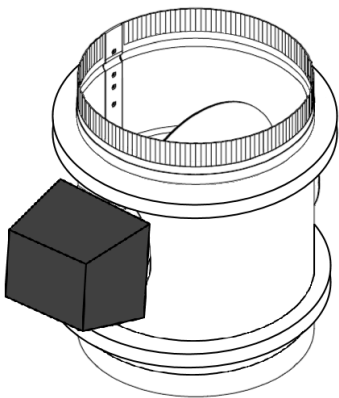


General Information on the **HMI** HOYME UNIVERSAL AIR CONTROL DAMPER

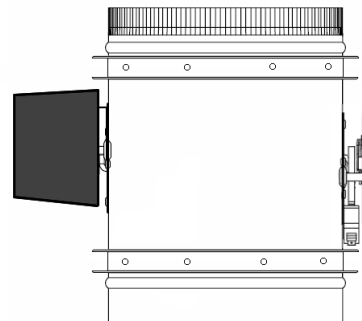
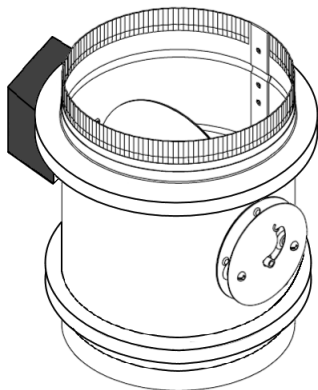
The Universal Motorized Air Control Damper is an in-line damper used for several applications such as fresh air inlets, stale air outlets, heat recovery ventilators, zone air, flue dampers and also the control of air through humidifiers. These various applications require different configurations and are identified by specific numbers and letters. The typical diameter sizes illustrated here are 8", 9", 10" & 12". Please refer to the Hoyme web at www.hoyme.com for specific differences in dampers applicable to a particular application.

The I.D. for this Universal Air Control Damper is:
HAC-0x50-SPC/PO where "x" = Diameter of Damper in inches.
(This is an HAC Damper with an End Switch, one Black MS10A Actuator - Spring Return, Power Open or Power Closed)

Damper is similar but may not be exactly as illustrated.



Note: 4"= 100mm
NOTE: "X" = 100 TO 225 IN INCREMENTS OF 25mm



LENGTH = 200mm

Colored wiring diagrams showing various types of HAC dampers are shown on our webpage at www.hoyme.com.