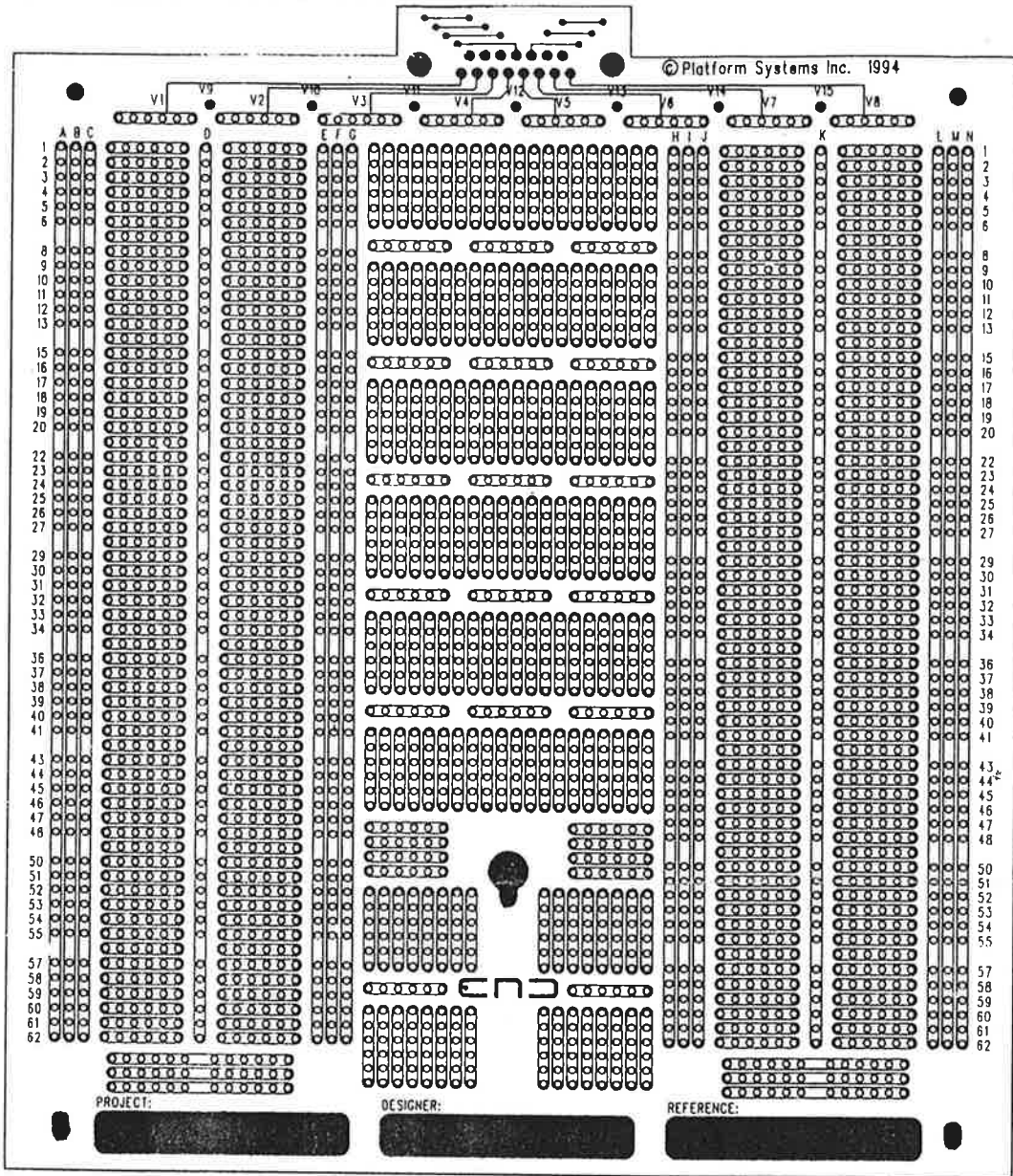
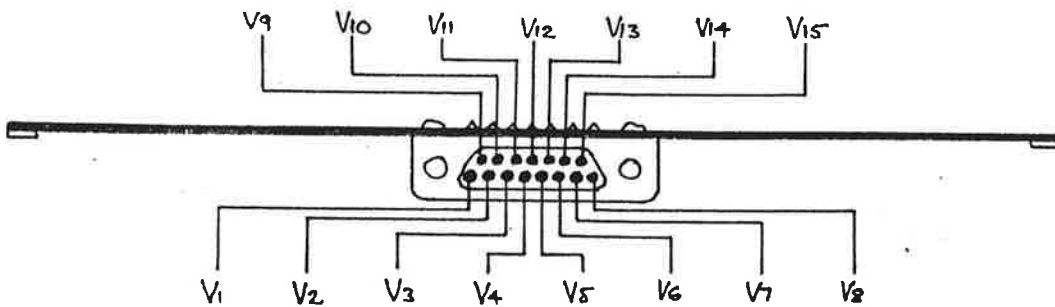


3,433 INSERTION POINTS. DB-15 CONNECTOR.



DB-15 CONNECTOR. PIN SCHEMATIC (RIGHT ANGLE-FEMALE)



Note: This connector to be soldered to the board after removal from the Electronics Network Designer.

