

General Information on the **HMI** HOYME  
**HAE - Hi-Efficiency Furnace Fan Generated  
Counter-Flow Air to Air Heat Exchanger**

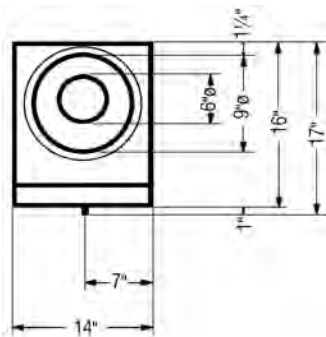
This air exchanger is designed to provide tempered fresh air into the home as stale air is ventilated outside. These Air Exchangers have a couple different configurations and are identified by specific numbers and letters.

There are two residential sizes and one commercial model.  
Please refer to the Hoyme web at [www.hoyme.com](http://www.hoyme.com) for more information.

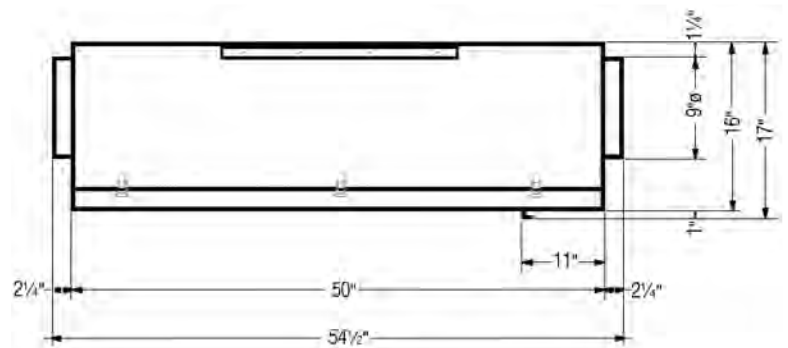
The I.D. for this HAE - Air Exchanger is:

**HAE-1000-200**

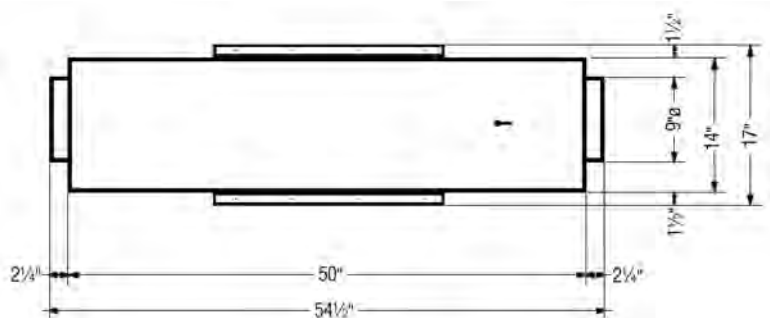
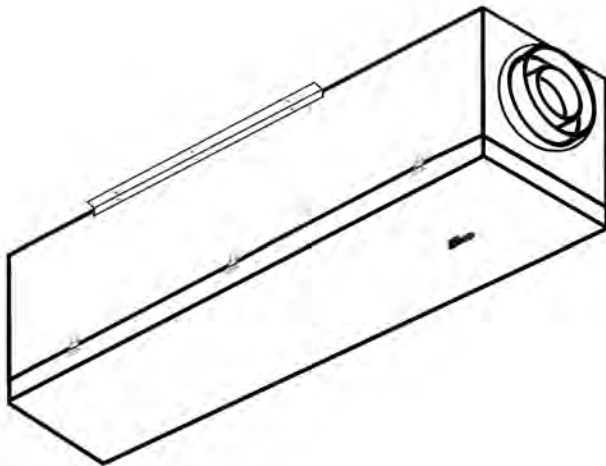
(This is a residential inline Air Exchanger with ~220 CFM capacity)



End View



Side View



Bottom View