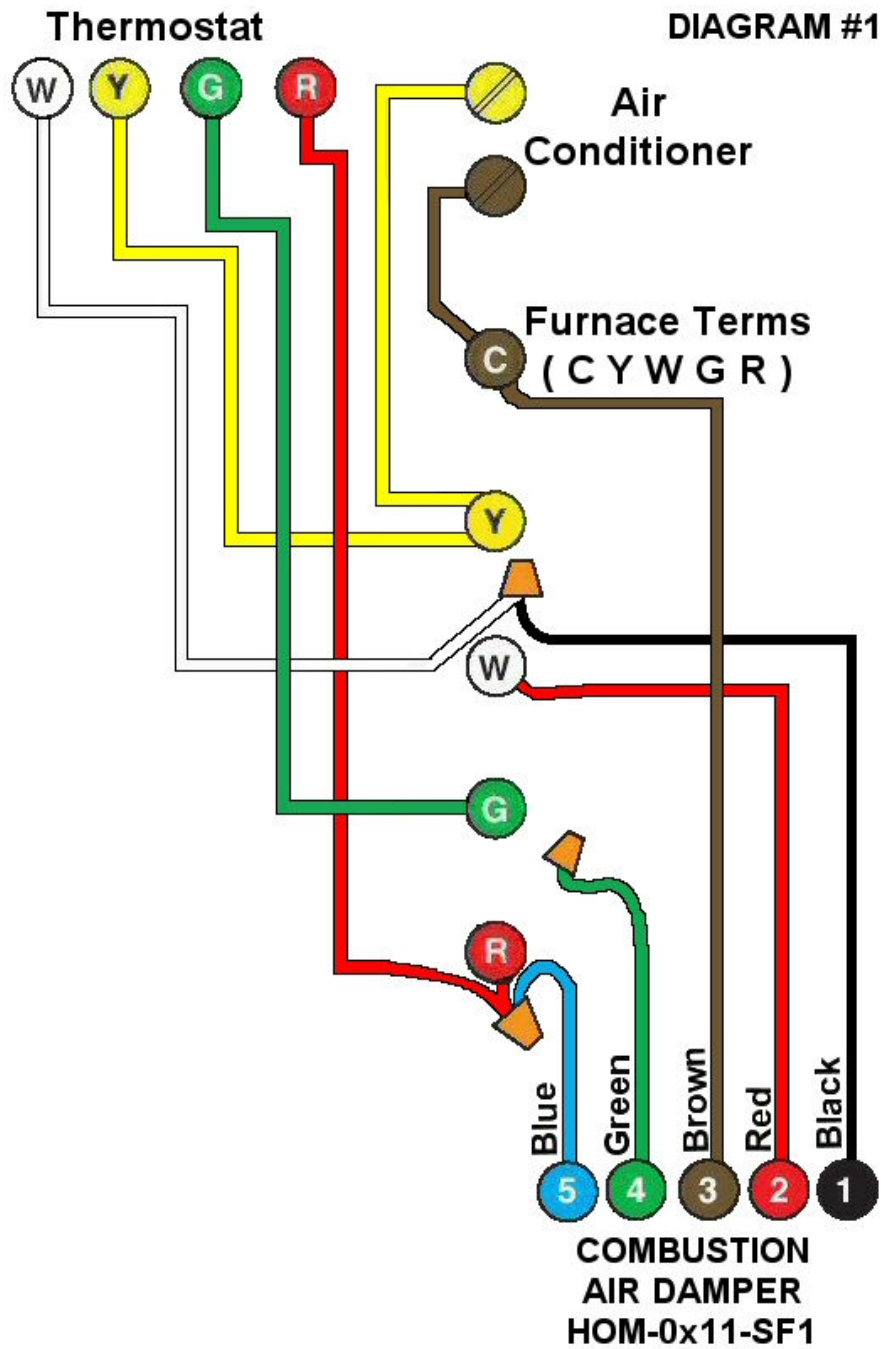


**HMI** Hoyme Manufacturing Inc. **Special Note:** Circuits are colored for clarification only and are not necessarily those found in actual installations. **Combustion Air Damper Wires, however, are colored as shown.**



**Diagram #1:** A Forced Air Furnace or Boiler having a **combustion air supply duct.**

ADDED: **Combustion Air Damper** for one furnace or boiler (**HOM-0x11-SF1**)

OPERATION: **Combustion Air Damper** is interlocked to the Thermostat/Aqua-stat and the gas valve so that the damper proves to be open to supply fresh air before the furnace/boiler fires. The damper closes to **conserve energy** when the fire stops.

Additional Colored wiring diagrams are shown on the web at [www.hoyme.com](http://www.hoyme.com)