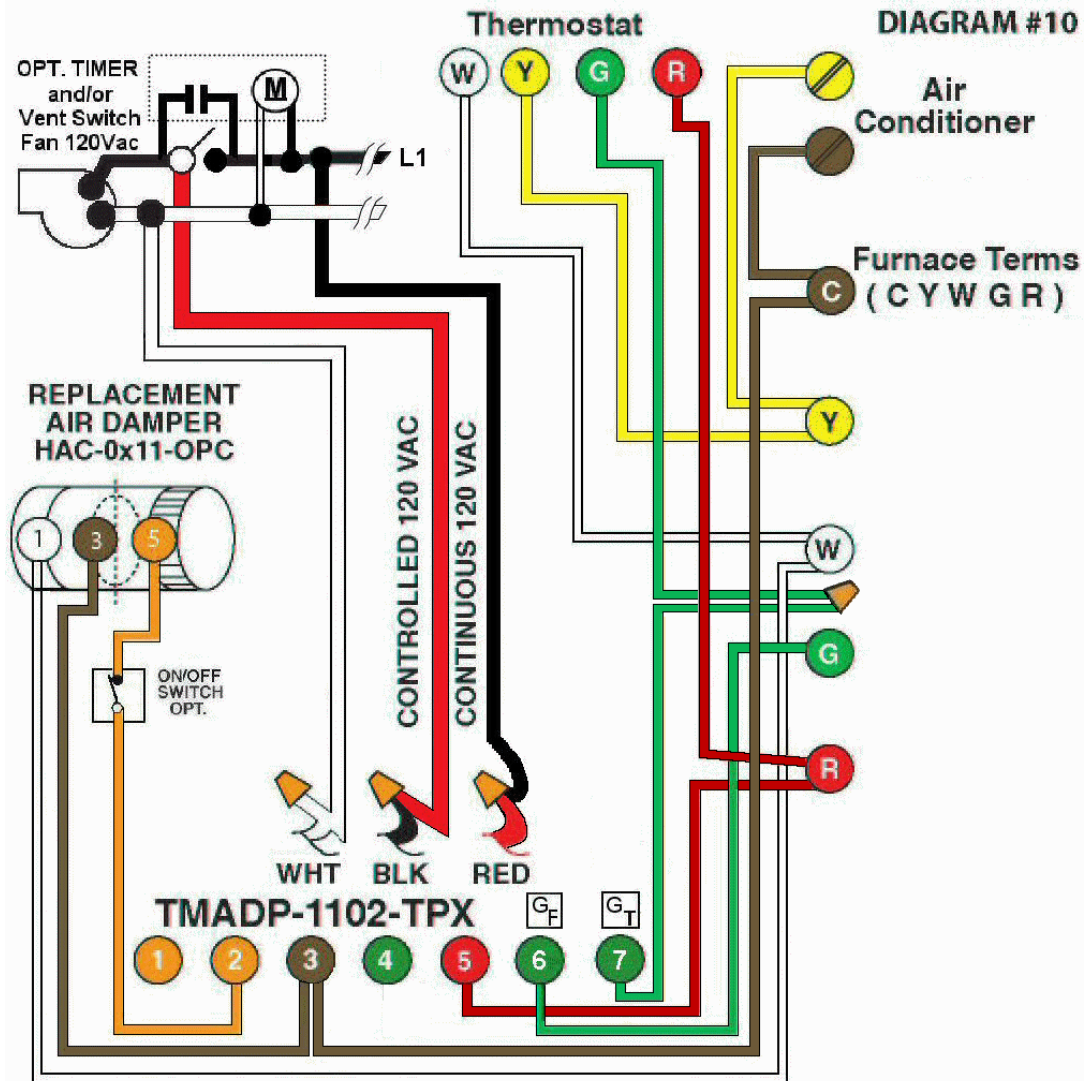


**HMI** Hoyme Manufacturing Inc. **Special Note:** Circuits are colored for clarification only and are not necessarily those found in actual installations.



**Diagram #10:** Forced Air Furnace having a **replacement air** supply duct together with an **exhaust fan** controlled by a designated **ventilation switch** and/or a **bathroom timer** and an **interval timer**. **Thermostat** also opens the replacement air supply **damper** during firing.

1. Replacement Air Damper with **Relay** (HAC-0x11-OPC).
2. Ventilation Switch and/or bathroom timer with **Controlled and Regular 120Vac, 3-Wire** supply to furnace area.
3. Relay Adaptor with **Interval Timer (TMADP-1102-TPX)** as control centre.

OPERATION:

1. Replacement Air Damper opens during furnace firing.
2. **Ventilation Switch** and/or **bathroom timer** turns on Ventilation Fan, opens Replacement Air Damper and turns on Furnace Fan simultaneously.
3. **Interval Timer**, with minimum or multiple consecutive settings of 15 minutes each, can turn on Ventilation Fan, open **Replacement Air Damper** and turn on **Furnace Fan** simultaneously.
4. **Opt. Switch** (i.e. toggle switch, timer, de-humidistat) allows full control of the Replacement Air Damper to open provided it is a **PC** type.

**N.B.** Replacement Air Damper is not affected by the 'Manual' setting of the furnace fan.

Additional Colored Wiring diagrams are shown on the web at [www.hoyme.com](http://www.hoyme.com)