

HMI Hoyme Manufacturing Inc. Special Note: Circuits are colored for clarification only and are not necessarily those found in actual installations.

Wires of the **Combustion Air Damper**, however, are colored as shown.

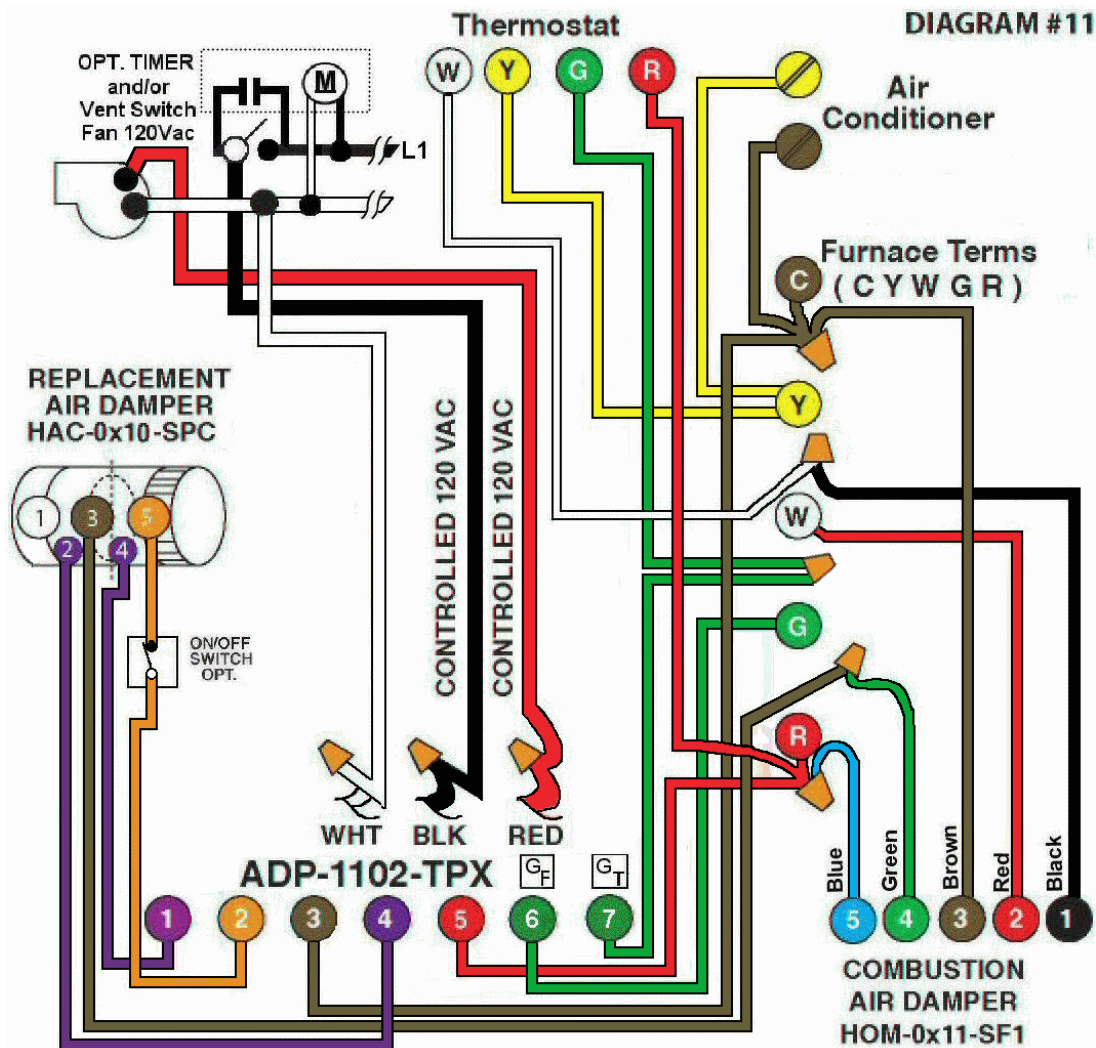


Diagram #11: Forced Air Furnace having a **combustion air** supply duct and a **replacement air** supply duct together with a designated **ventilation switch** and/or **bathroom timer** to turn on an **exhaust fan INTERLOCKED** to a replacement air control damper to prove to be open before exhaust fan runs.

1. Combustion Air Damper (**HOM-0x11-SF1**).
2. Replacement Air Damper with an **End Switch** (**HAC-0x10-SPC**)
3. Ventilation Switch and/or bathroom timer with **controlled and regular 120Vac 3-Wire** supply to furnace area.
4. **Relay Adaptor (ADP-1102-TPX)** functions as a control centre.

OPERATION:

1. Combustion Air and Replacement air damper open during furnace firing.
2. **Ventilation Switch** and/or **bathroom timer** opens the Replacement Air Damper and turns on Furnace Fan. **After Damper proves to be opened (INTERLOCKED)**, the Ventilation Fan will turn on.
3. **Optional switch** (i.e. toggle switch, timer, de-humidistat) allows full control of Replacement Air Damper to open at any time.

N.B. Replacement Air Damper is not affected by the 'Manual' setting of the furnace fan.

Additional Colored Wiring diagrams are shown on the web at www.hoyme.com