

HMI Hoyme Manufacturing Inc. **Special Note: Circuits are colored for clarification only and are not necessarily those found in actual installations.**

Wires of the **Combustion Air Damper**, however, are colored as shown.

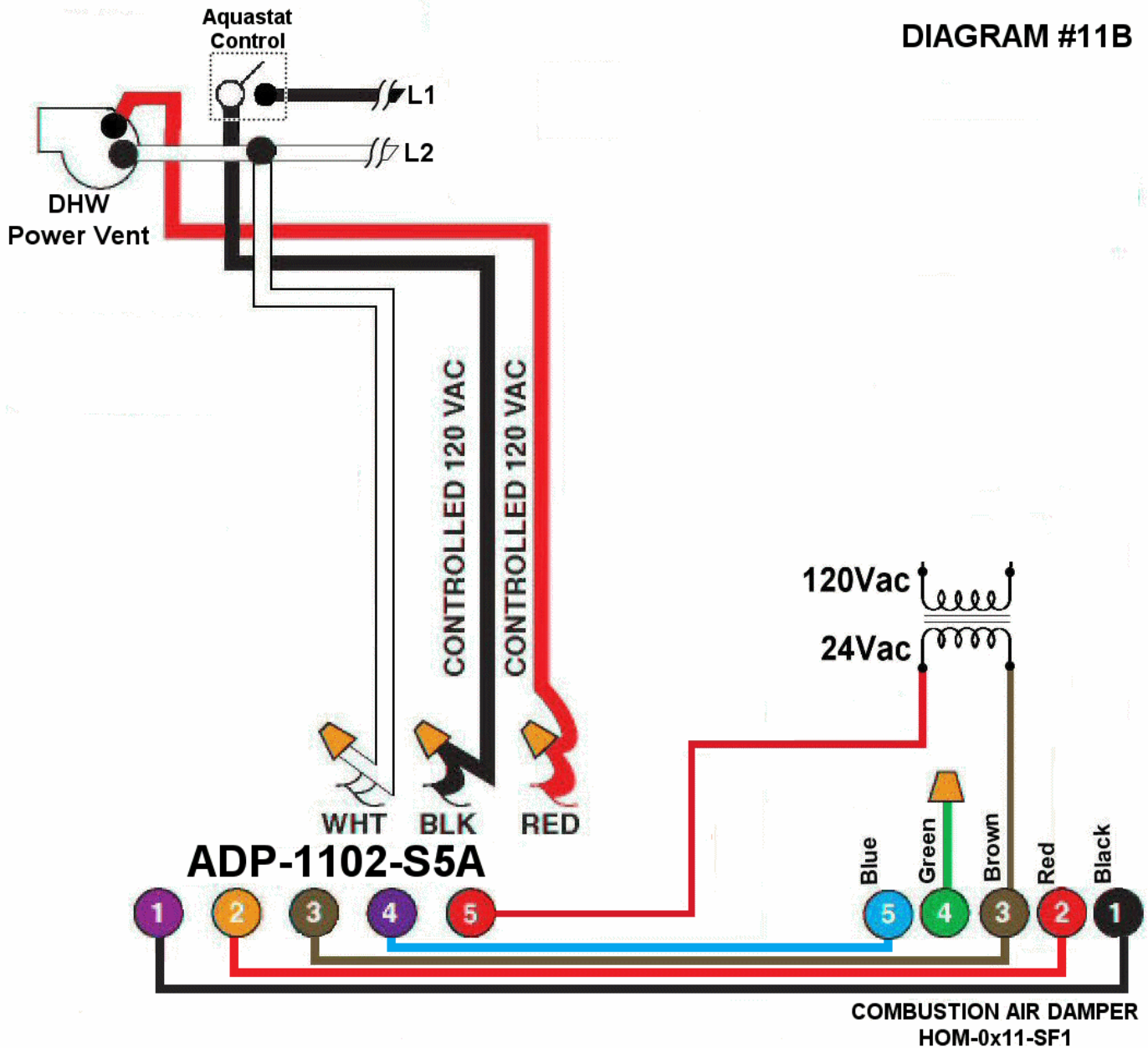


Diagram #11B: Domestic Hot Water with Power Vent having a **combustion air** supply duct. Damper is **INTERLOCKED** to prove to be open before **Power Vent** fan runs.

1. Combustion Air Damper (**HOM-0x11-SF1**).
2. Interface Relay adaptor (**ADP-1102-S5A**) functions as a control centre
3. Continuous 24Vac power supply.

OPERATION:

1. Power Vent signal from hot water tank directed to Relay adaptor to open the damper.
2. **After Damper proves to be opened (INTERLOCKED)**, the Power Vent Fan will turn on.

Additional Colored Wiring diagrams are shown on the web at www.hoyme.com