

HMI Hoyme Manufacturing Inc. Special Note: Circuits are colored for clarification only and are not necessarily those found in actual installations.

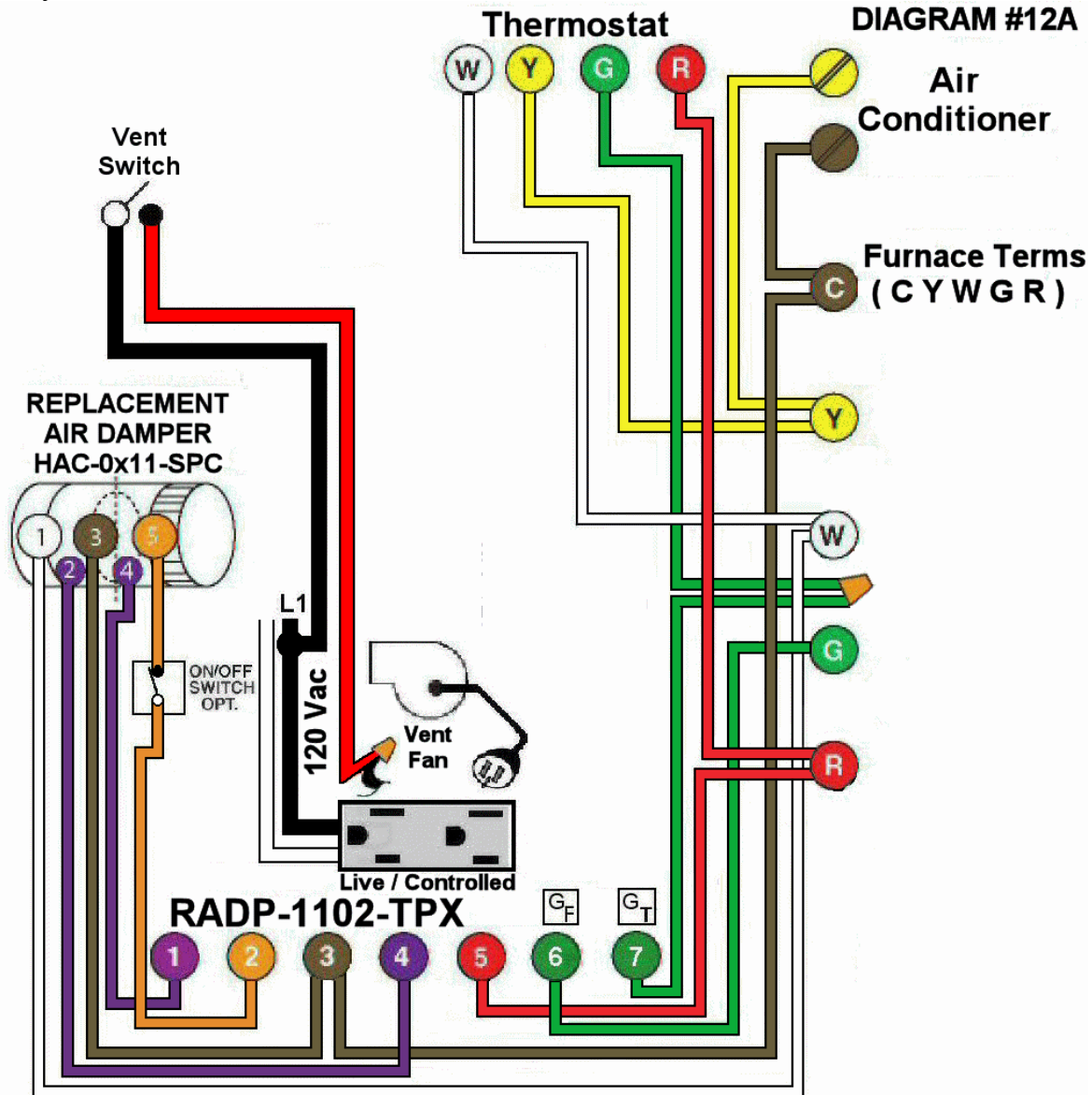


Diagram #12A: Forced Air Furnace having a **replacement air** supply duct together with a designated **Ventilation Switch** and/or **bathroom timer** to turn on a **Plug-in Exhaust Fan INTERLOCKED** with a replacement air control damper.

1. Replacement Air Damper (Power Close) with **Relay** and **End Switch (HAC-0x11-SPC)**.
2. Ventilation Switch and/or bathroom timer.
3. **Relay Adaptor (RADP-1102-TPX)** which functions as a control centre.

OPERATION:

1. Replacement air damper opens during furnace firing.
2. **Ventilation Switch** and/or bathroom timer opens the Replacement Air Damper. **After Replacement Damper proves to be in the open position (INTERLOCKED)**, it signals the exhaust Fan and Furnace Fan to turn on thus guarantying fresh air in to replace the exhausted air.
3. **Optional switch** (i.e. toggle switch, de-humidistat) allows full independent control of Replacement Air Damper to open at any time provided it is the **PC** type.

N.B. Replacement Air Damper is not affected by the 'Manual' setting of the furnace fan.

Additional Colored Wiring diagrams are shown on the web at www.hoyme.com