

HMI Hoyme Manufacturing Inc. **Special Note:** Circuits are colored for clarification only and are not necessarily those found in actual installations.

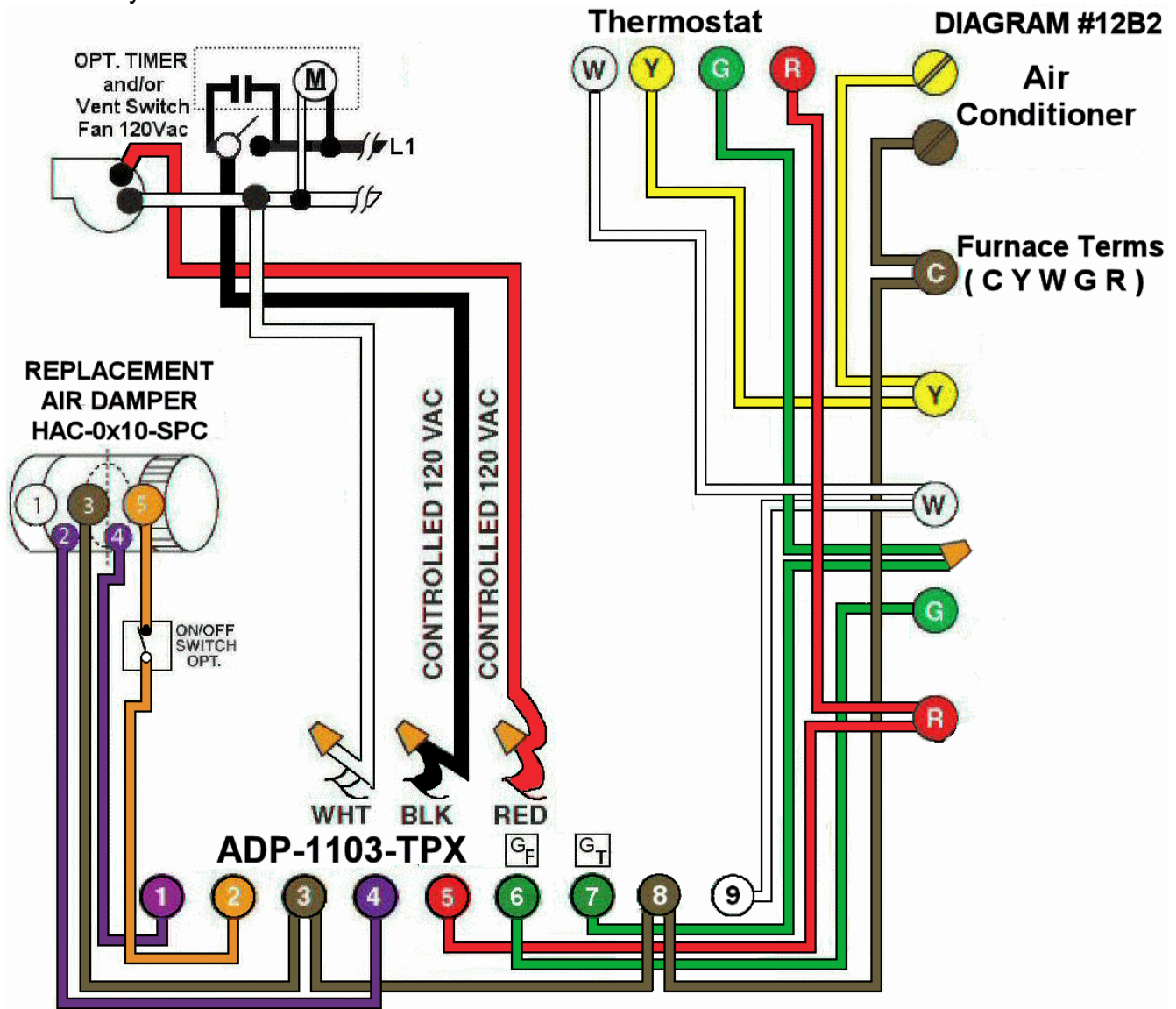


Diagram #12B2: Forced Air Furnace having a replacement air supply duct together with a designated ventilation switch and/or bathroom timer to turn on an exhaust fan INTERLOCKED to a replacement Power Closed air control damper.

1. Replacement Power Closed Air Damper and End Switch (HAC-0x10-SPC).
2. Ventilation Switch and/or bathroom timer with 3-Wire 120Vac supply to furnace area.
3. Relay Adaptor (ADP-1103-TPX) functions as a control centre.

OPERATION:

1. Replacement Air Damper opens during furnace firing.
2. Ventilation Switch and/or bathroom timer turns on the Furnace Fan and opens the Replacement Air Damper
3. After Damper proves to be open (INTERLOCKED), the exhaust Fan will turn on.
4. Optional switch (i.e. toggle switch, timer, de-humidistat) allows full control of Replacement Air Damper to open at any time.

N.B. Replacement Air Damper is not affected by the 'Manual' setting of the furnace fan.
Also does not interfere with the Air Conditioner.

Additional Colored Wiring diagrams are shown on the web at www.hoyme.com