

HMI Hoyme Manufacturing Inc. Special Note: Circuits are colored for clarification only and are not necessarily those found in actual installations.

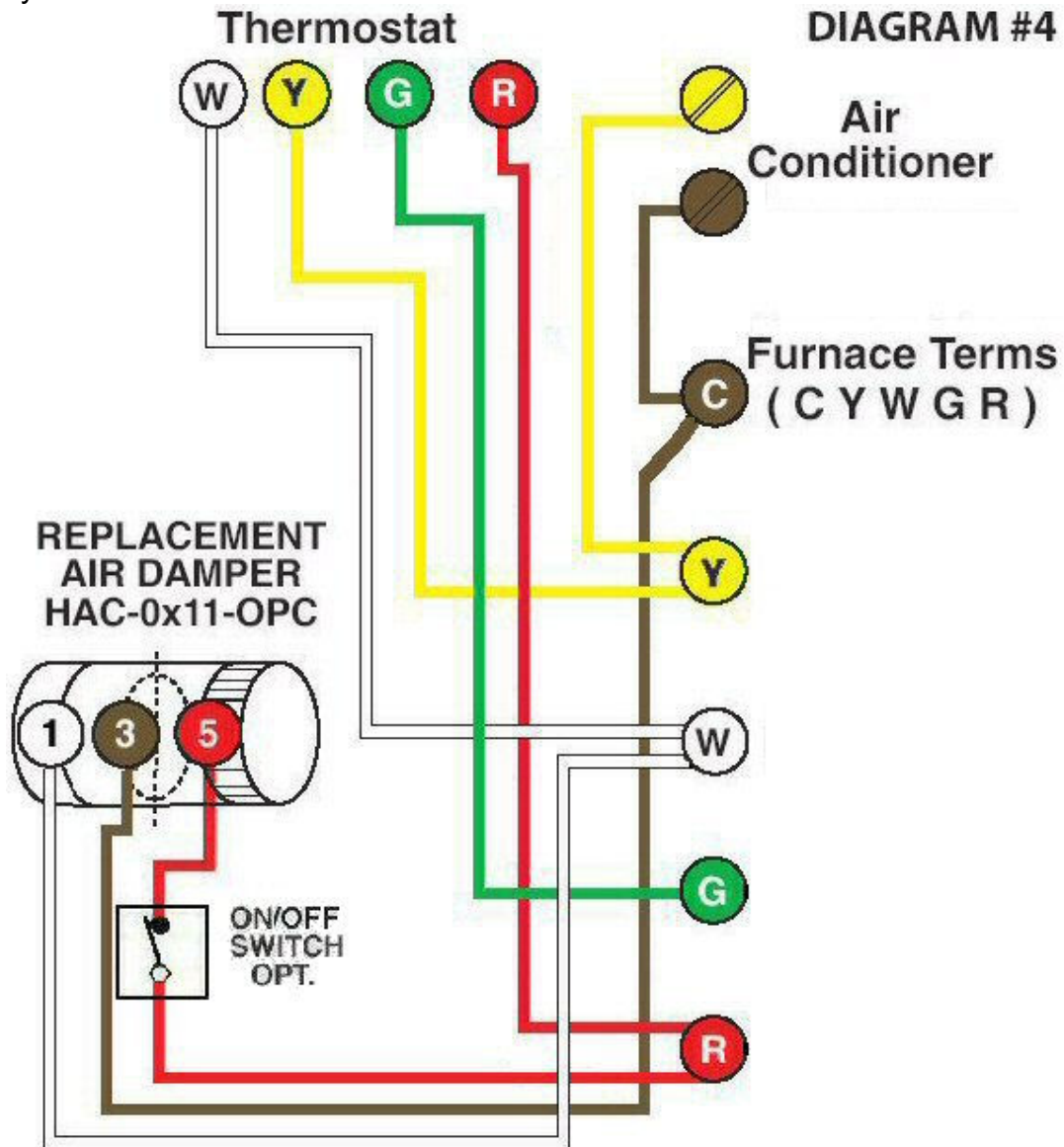


Diagram #4: High Efficiency Forced Air Furnace having a replacement air supply duct.

ADDED:

Replacement Air Control Damper, Power Close type with 1 Relay, (HAC-0x11-OPC).

OPERATION:

1. Replacement air damper is interconnected to the furnace so that the damper opens to provide fresh air during the heating cycle and closes to provide comfort and conserve energy when the fire stops. Note that the Damper does not use any power while the furnace fires. Damper remains closed irrespective of Furnace Fan operation.

2. **Optional Switch**, (i.e. toggle switch, timer, de-humidistat) Damper springs open when power is switched off to the HAC motor.

N.B. Replacement Air Damper is not affected by the 'Manual' setting of the furnace fan.

Additional colored Wiring diagrams are shown on the web at www.hoyme.com