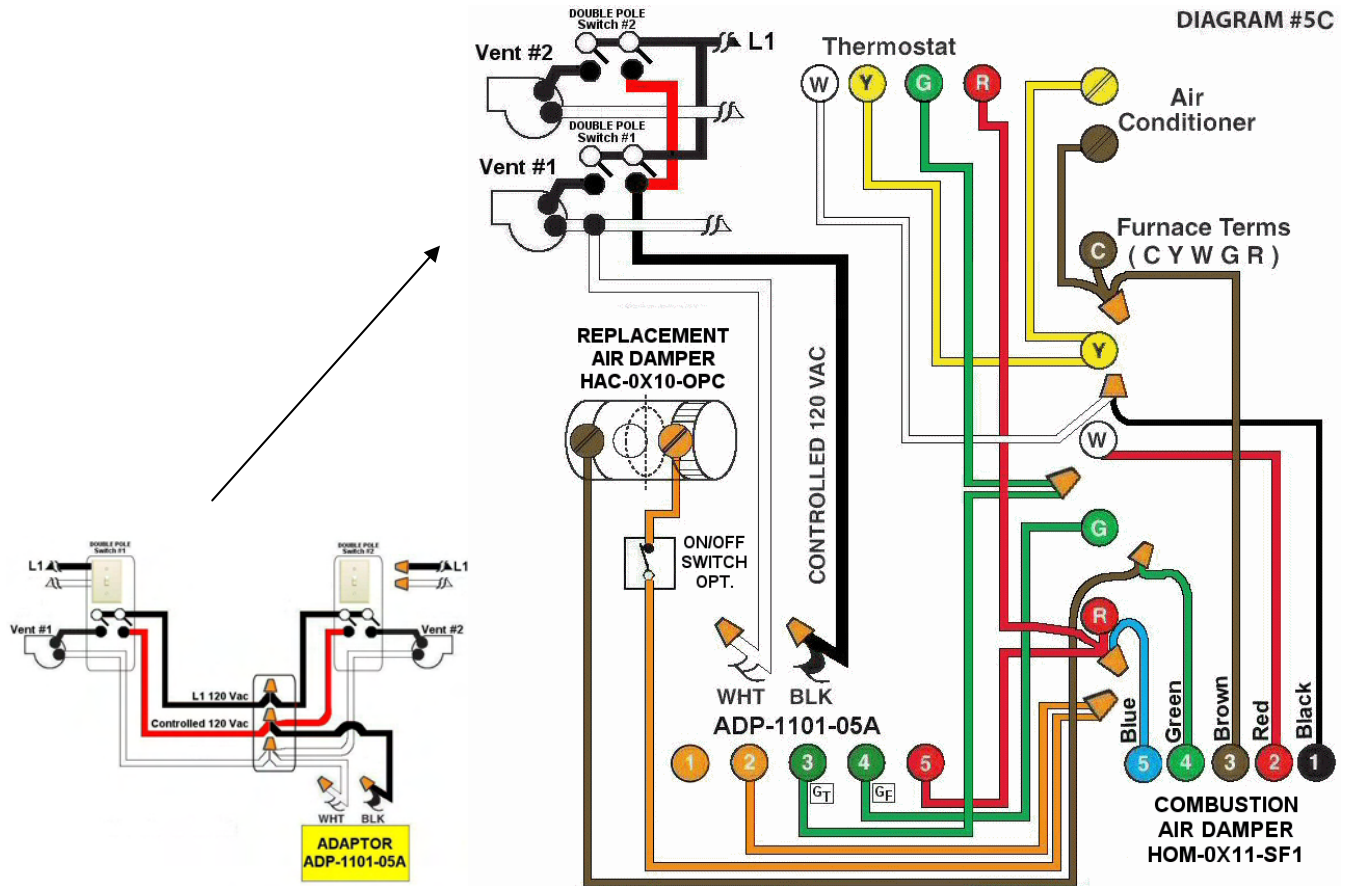


**HMI** Hoyme Manufacturing Inc. **Special Note: Circuits are colored for clarification only and are not necessarily those found in actual installations. Wires of the Combustion Air Damper, however, are colored as shown.**



**Diagram #5C:** Forced Air Furnace having a **combustion air** and a **replacement air** supply duct together with **two exhaust fans** controlled by **two separate Double Pole Ventilation Switches**.

1. Combustion Air Damper (**HOM-0x11-SF1**);
2. Replacement Air Damper (**HAC-0x10-OPC**);
3. **Two Ventilation Switches** (DP) to supply controlled 120Vac;
4. **Relay Adaptor (ADP-1101-05A)** which functions as a control centre.

**OPERATION:**

1. Combustion Air Damper and Replacement Air Damper open during furnace firing.
2. Either **Ventilation Switch** turns on Exhaust Fan, opens Replacement Air Damper and turns on Furnace Fan simultaneously.
3. **Optional switch** (i.e. toggle switch, timer, de-humidistat) provides full control of Replacement Air damper to open separately provided the damper is the Power Close(**PC**) type.

**N.B.** Replacement Air Damper is not affected by the 'Manual' setting of the furnace fan.

Additional Colored Wiring diagrams are shown on the web at [www.hoyme.com](http://www.hoyme.com)