

HMI Hoyme Manufacturing Inc. **Special Note:** Circuits are colored for clarification only and are not necessarily those found in actual installations.

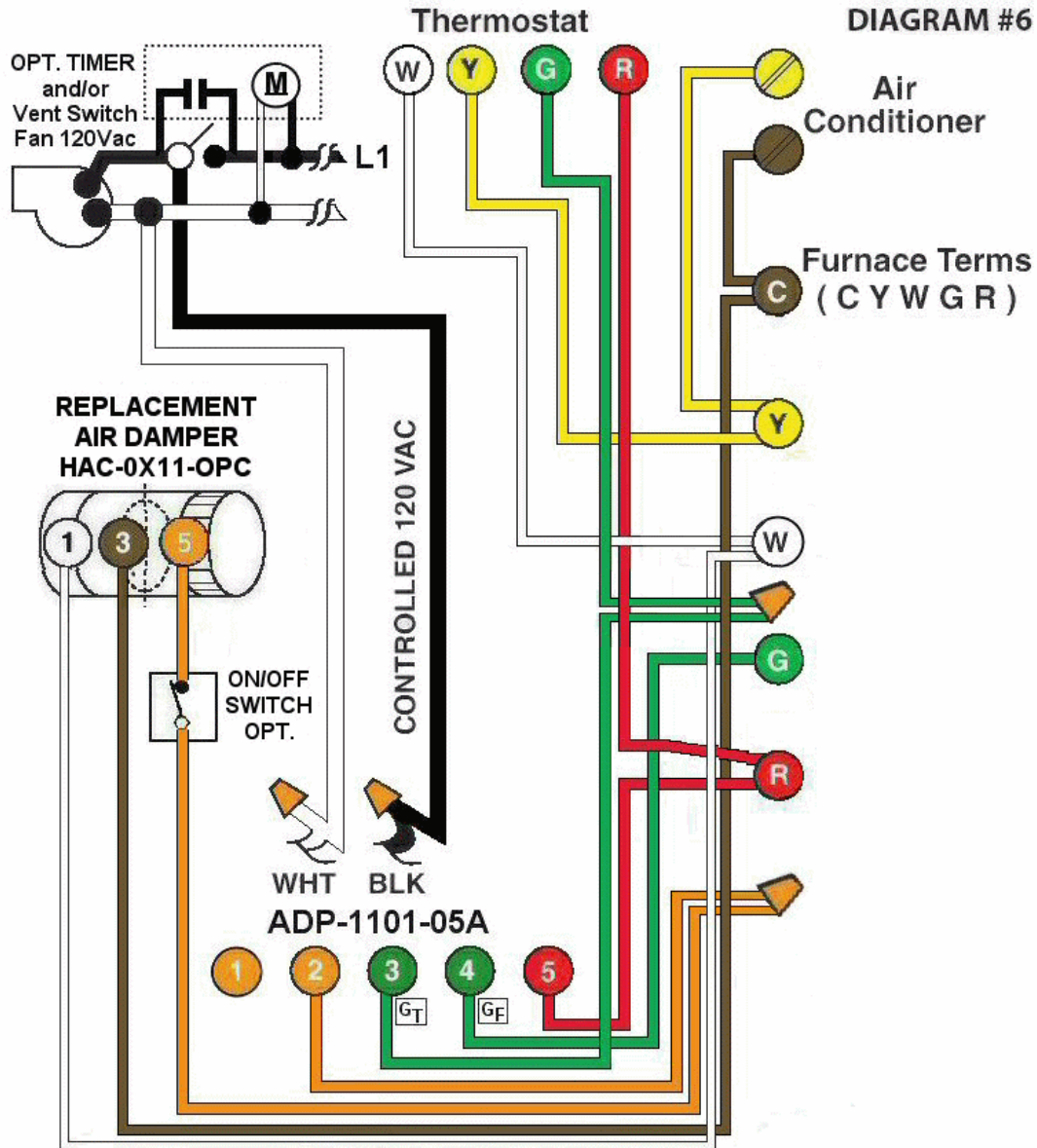


Diagram #6: Forced Air Furnace having a **replacement air supply duct** together with and **exhaust fan** controlled by a designated **ventilation switch and/or bathroom timer**.

1. **Replacement Air Control Damper (PC) with Relay (HAC-0x11-OPC)**
2. **Ventilation Switch and/or bathroom timer** to supply **Controlled 120Vac** to furnace area.
3. **Relay Adaptor (ADP-1101-05A)** to function as a control centre.

OPERATION:

1. Replacement Damper opens to provide fresh air during the **ventilation and heating cycle**.
2. **Ventilation Switch and/or bathroom timer** turns on Ventilation Fan, opens Replacement Air Damper and turns on Furnace Fan simultaneously.
3. **Optional Switch** (i.e. toggle switch, timer, de-humidistat) allows full control of the Replacement Air Damper to open as required provided it is **PC** type.

N.B. Replacement Air Damper is not affected by the 'Manual' setting of the furnace fan.

Additional Colored Wiring diagrams are shown on the web at www.hoyme.com