

HMI Hoyme Manufacturing Inc. **Special Note: Circuits are colored for clarification only and are not necessarily those found in actual installations.**

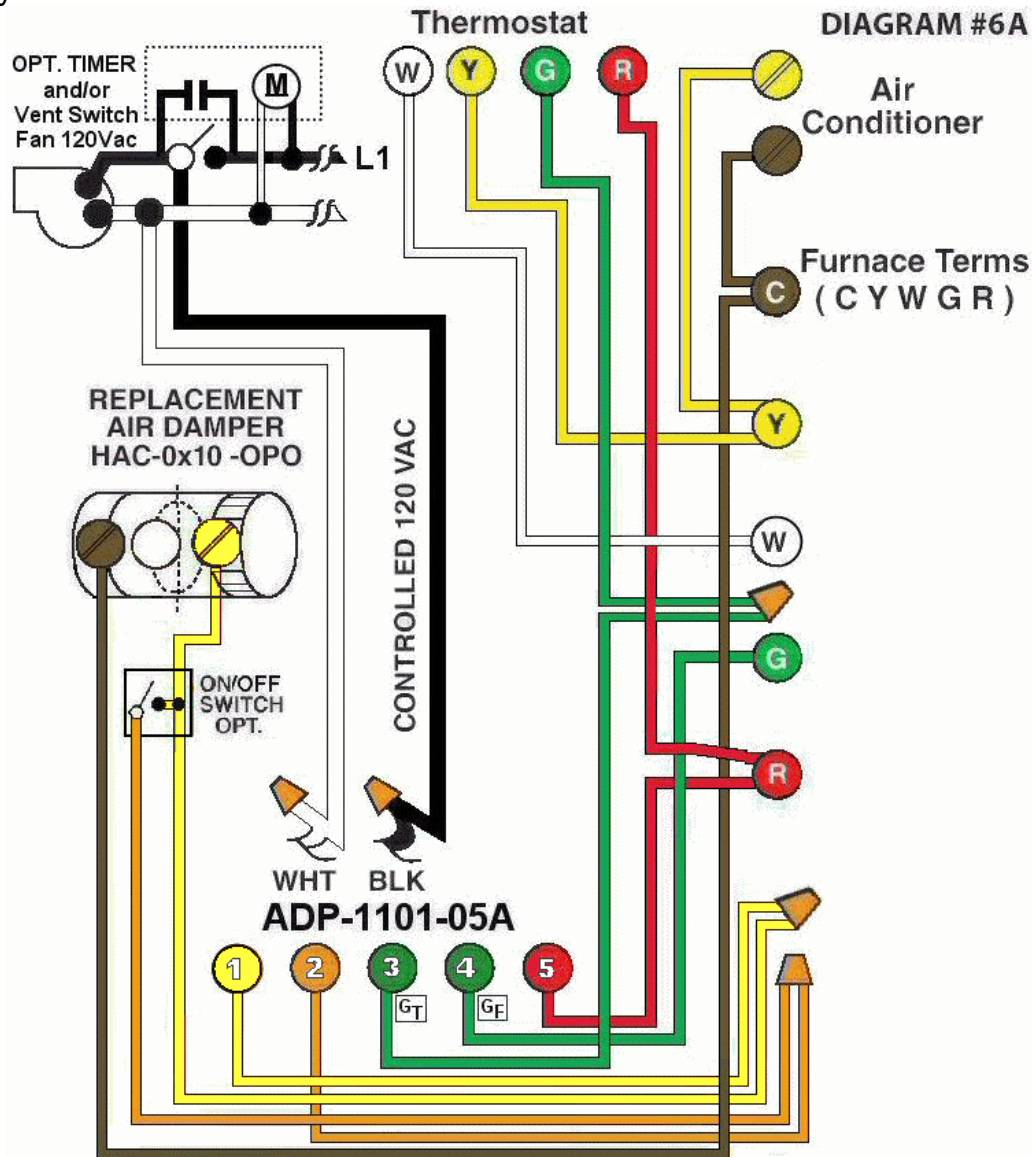


Diagram #6A: Forced Air Furnace having a **replacement air** supply duct together with an **exhaust fan** controlled by a designated **ventilation switch and/or bathroom timer**.

- 1. Replacement Air Control Damper (HAC-0x10-OPO)**
- 2. Ventilation Switch and/or bathroom timer to supply **Controlled 120Vac** to furnace area.**
- 3. An optional ON/OFF Switch.**
- 4. Relay Adaptor (ADP-1101-05A) to function as a control centre.**

OPERATION:

- 1. Furnace fires with thermostat signal.**
- 2. Ventilation Switch and/or bathroom timer** turns on the Ventilation Fan, the Furnace Fan and opens the Ventilation Damper simultaneously with the damper connected to Adaptor Terminal #1.
- 3. Optional Switch** (i.e. toggle switch, timer, de-humidistat) connected between #1 and #2 of the Adaptor allows full control of the Replacement Air Damper to open as required.

N.B. Replacement Air Damper is not affected by the 'Manual' setting of the furnace fan.

Additional Colored Wiring diagrams are shown on the web at www.hoyme.com