

HMI Hoyme Manufacturing Inc. **Special Note:** Circuits are colored for clarification only and are not necessarily those found in actual installations. Wires of the **Combustion Air Damper**, however, are colored as shown.

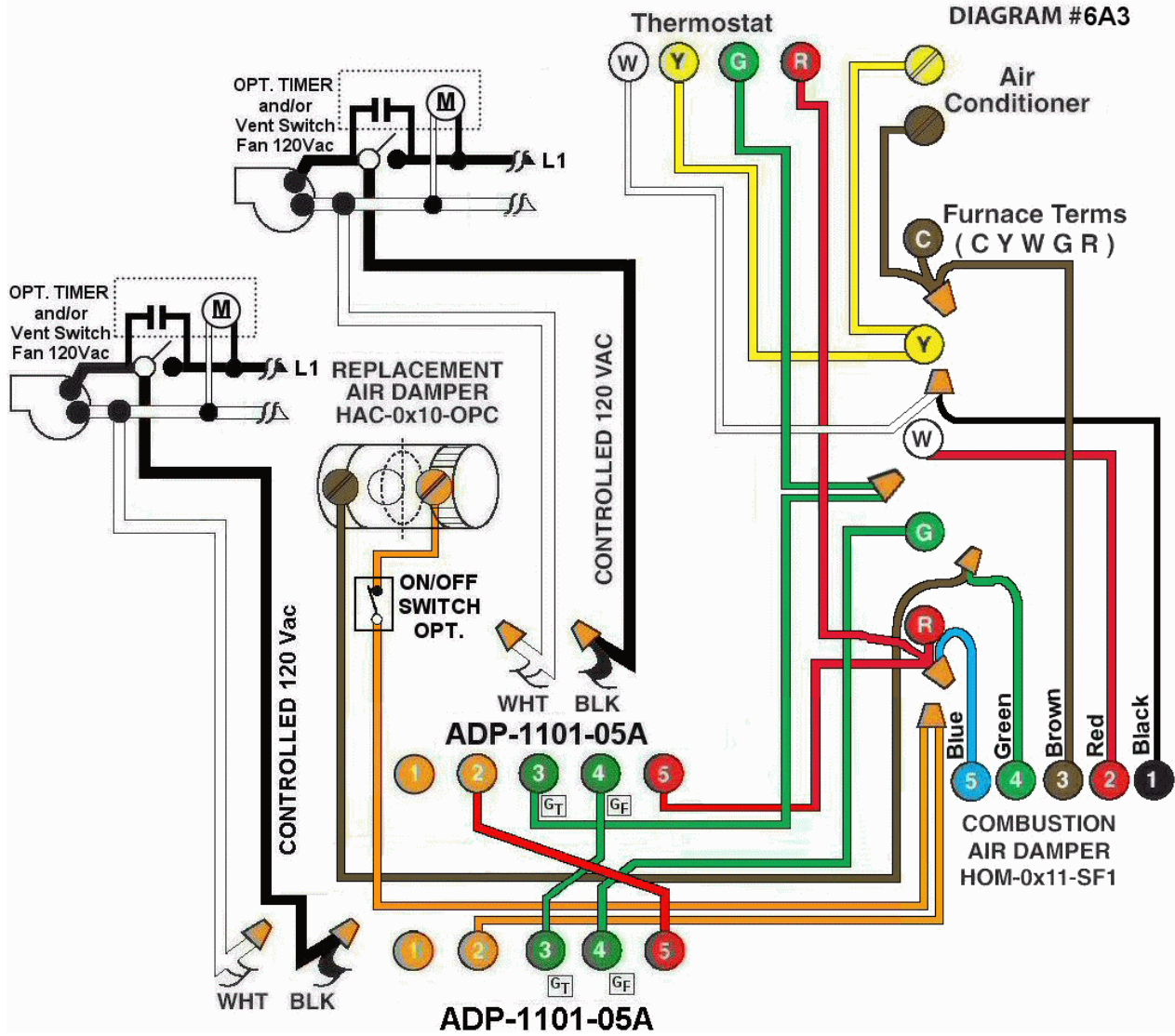


Diagram #6A3: Forced Air Furnace having a **combustion air** and a **replacement air** supply duct together with **two exhaust fans** controlled by **two** relay adaptors (**ADP-1101-05A**).

1. Combustion Air Damper (**HOM-0x11-SF1**);
2. A Replacement Air Damper (**HAC-0x10-OPC**);
3. **Two Ventilation Switches** to supply controlled 120Vac to the furnace area;
4. **Two Relay Adaptors (ADP-1101-05A)** which function as a control centre actuated from either ventilation switch.

OPERATION:

1. Combustion Air Damper and Replacement Air Damper open during furnace firing.
2. Either **Ventilation Switch** will simultaneously turn on the Exhaust Fan, open the Replacement Air Damper and turn on Furnace Fan.
3. **Optional switch** to the damper provides full control of Replacement Air damper to open separately provided the damper is the Power Close (**PC**) type.

N.B. Replacement Air Damper is not affected by the 'Manual' setting of the furnace fan nor is the Air Conditioner affected in any way.

Additional Colored Wiring diagrams are shown on the web at www.hoyme.com