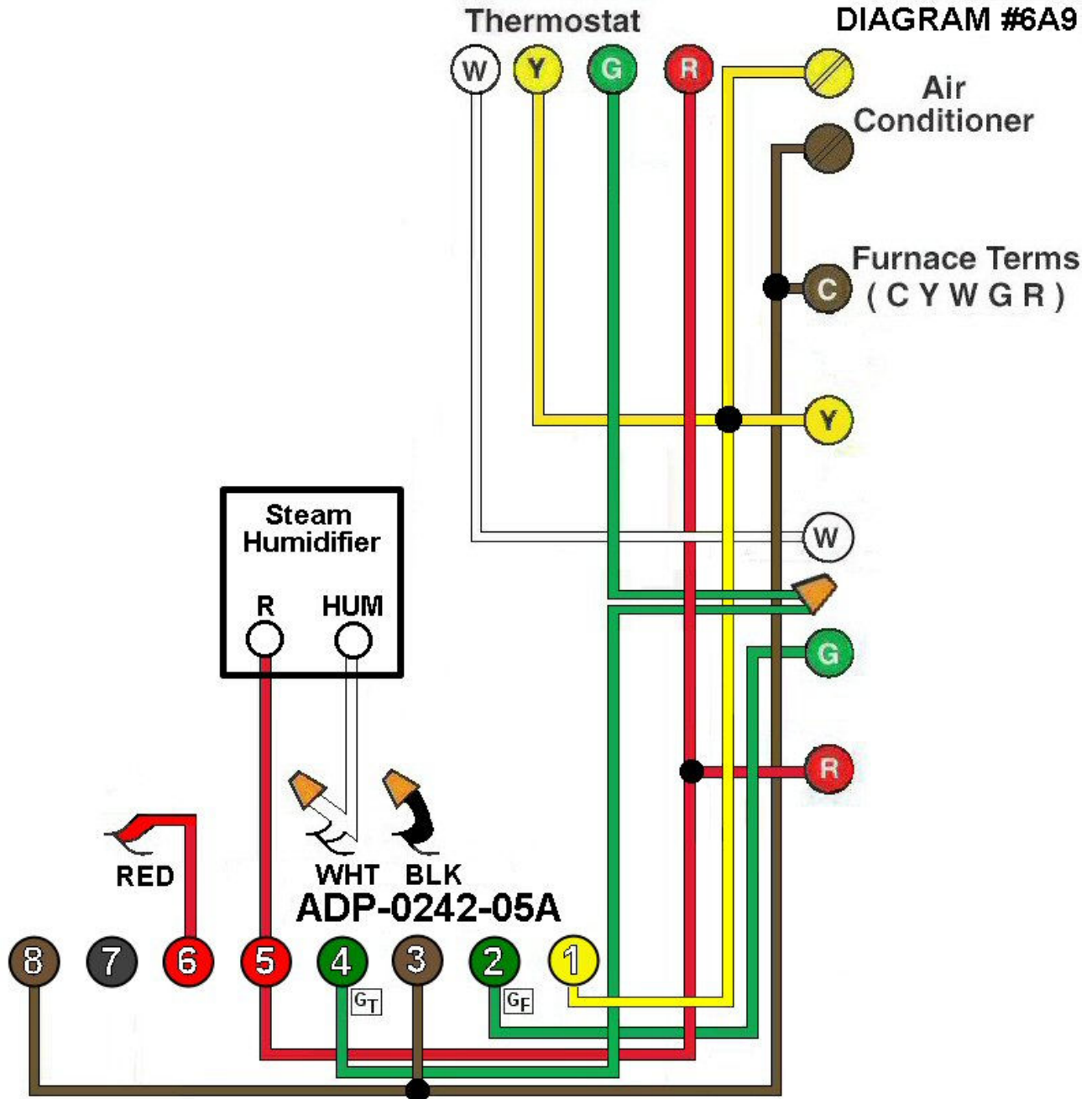


**HMI** Hoyme Manufacturing Inc. **Special Note:** Circuits are colored for clarification only and are not necessarily those found in actual installations.



**Diagram #6A9:** Forced Air Heating/Cooling System equipped with a **Steam Humidifier**.

1. Forced Air Furnace/Air Handler
2. Steam Humidifier
3. 24Vac Relay Adaptor (ADP-0242-05A).

OPERATION:

The **24Vac Relay Adaptor (ADP-0242-05A)** functions as a control center as follows:

1. Heating system functions normally using automatic or manual circulation fan control;
2. The operation of the A/C system stops the operation of the Steam Humidifier;
3. Humidistat/Steam Humidifier starts the circulation fan and does not start the A/C compressor.

Additional Colored Wiring diagrams are shown on the web at [www.hoyme.com](http://www.hoyme.com)