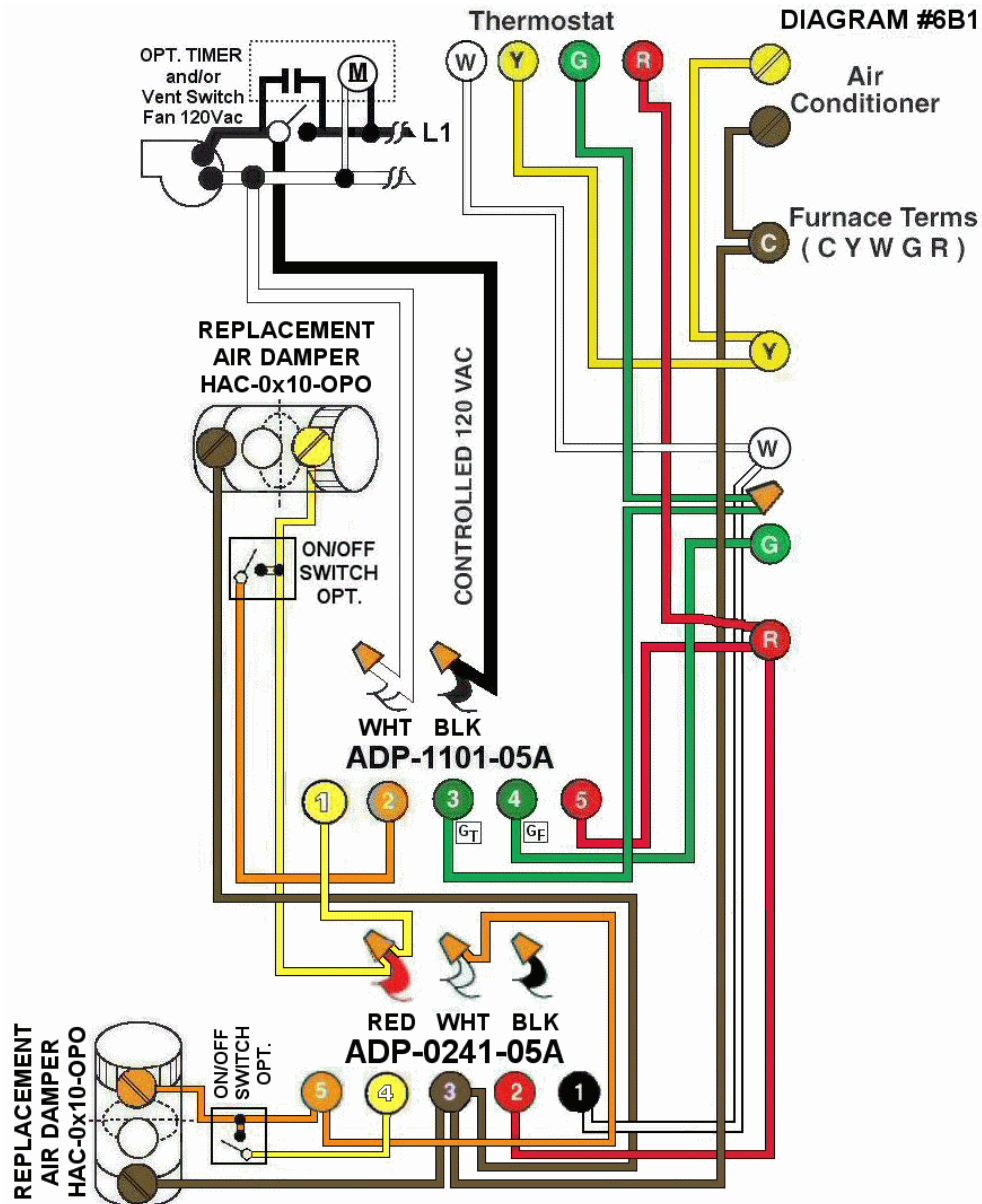


**HMI** Hoyme Manufacturing Inc. **Special Note: Circuits are colored for clarification only and are not necessarily those found in actual installations.**



**Diagram #6B1:** One Forced Air Furnace having **two replacement air supply ducts, two fresh air dampers** together with a **large exhaust fan**, a designated **ventilation switch** and/or timer.

1. **Two Replacement Air Control Dampers (HAC-0x10-OPO)**
2. **Ventilation Switch** and/or timer to supply **Controlled 120Vac** to furnace area.
3. **(ADP-1101-05A)** opens **both** Fresh Air Dampers when operating a **large exhaust fan**.
4. **(ADP-0241-05A)** opens only **one** Fresh Air Damper when **furnace is firing**.

OPERATION:

1. Only **One** Fresh air Damper opens during Furnace firing.
2. **Ventilation Switch** and/or timer **simultaneously** turns on the Ventilation Fan, the Furnace Circulation Fan and opens **both** Fresh Air Dampers.
3. **Optional Overriding Toggle Switch** (connected to one damper only) causes **both Fresh Air Dampers** to open as required.

**N.B.** Replacement Air Dampers are not affected by the 'Manual' setting of the furnace fan.

Additional Colored Wiring diagrams are shown on the web at [www.hoyme.com](http://www.hoyme.com)