

HMI Hoyme Manufacturing Inc. **Special Note: Circuits are colored for clarification only and are not necessarily those found in actual installations.**

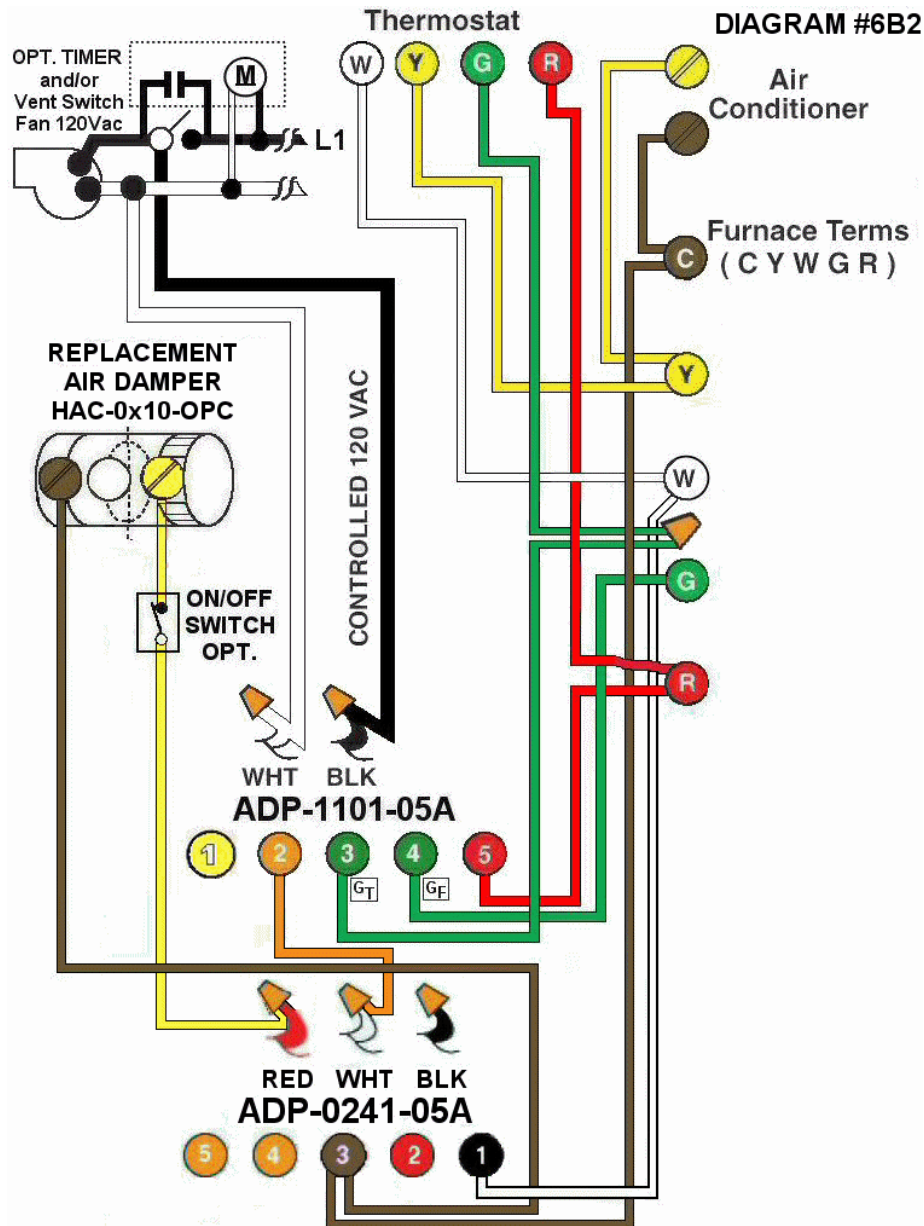


Diagram #6B2: Forced Air Furnace having a replacement air supply duct together with an exhaust fan controlled by a designated ventilation switch and/or bathroom timer.

1. Replacement Air Control Damper (HAC-0x10-OPC) - (Power Close)
2. Ventilation Switch and/or bathroom timer to supply **Controlled 120Vac** to furnace area.
3. Relay Adaptor (**ADP-1101-05A**) to function as a control centre.
4. Relay Adaptor (**ADP-0241-05A**) to open damper during heating cycle.

OPERATION:

1. Replacement Damper opens to provide fresh air during the **ventilation and heating cycle**.
2. **Ventilation Switch and/or bathroom timer** turns on Ventilation Fan, opens Replacement Air Damper and turns on Furnace Fan simultaneously.
3. Damper will remain closed during manual furnace fan operation.
4. **On/Off Switch** connected to the Adaptors (as shown) allows manual control of the Replacement Air Damper to open as required.

Additional Colored Wiring diagrams are shown on the web at www.hoyme.com