

HMI Hoyme Manufacturing Inc. **Special Note: Circuits are colored for clarification only and are not necessarily those found in actual installations.**

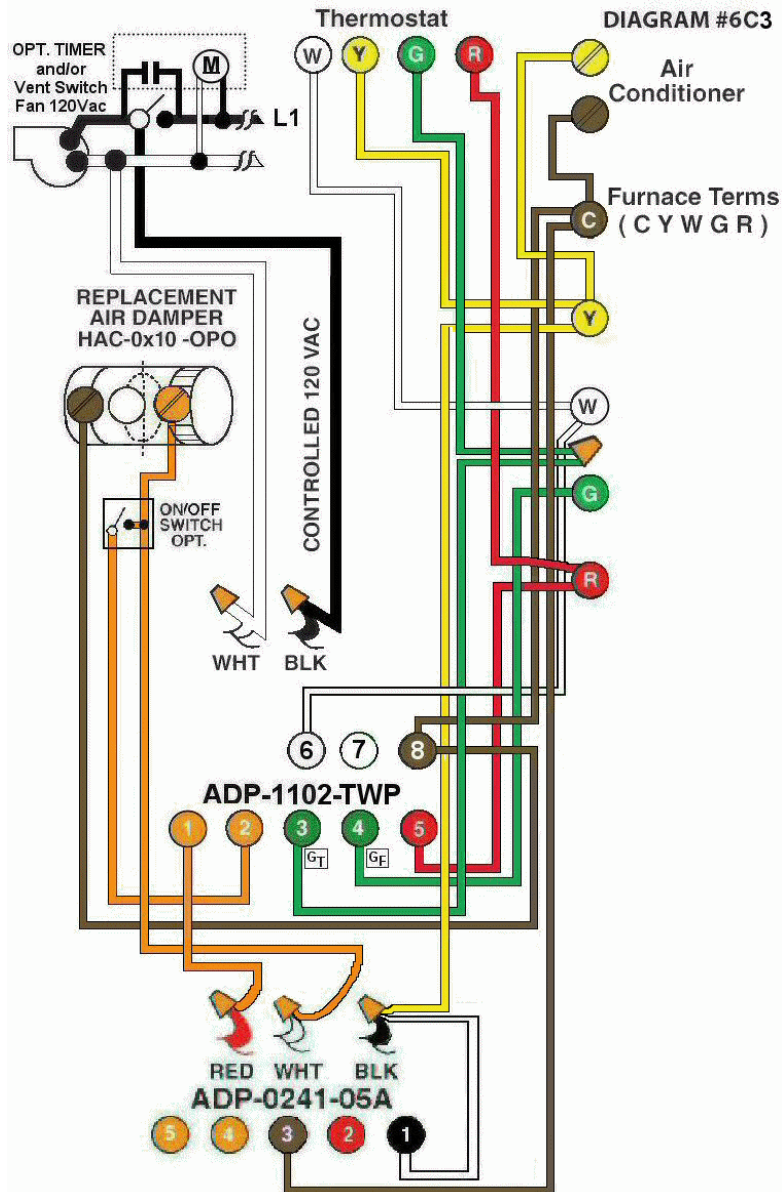


Diagram #6C3: Forced Air Furnace having a **replacement air** supply duct together with and **exhaust fan** controlled by a designated **ventilation switch and/or bathroom timer**.

1. Use **Replacement Air Control Damper (Power Open) - (HAC-0x10-OPO)**.
2. Ventilation Switch and/or bathroom timer to supply **Controlled 120Vac** to furnace area.
3. Relay Adaptor (**ADP-1102-TWP**) to function as a control centre.
4. Relay Adaptor (**ADP-0241-05A**) to function as a fresh air supply when thermostat is set to the cooling cycle.

OPERATION:

1. Replacement Damper opens to provide fresh air during the **heating and/or cooling cycles**.
2. **Ventilation Switch and/or bathroom timer** turns on Ventilation Fan, opens Replacement Air Damper and turns on Furnace Fan simultaneously.
3. Damper will remain closed during manual furnace fan operation.
4. **On/off Switch** connected to **ADP-1102-TWP** Terminal #2 (as shown) allows manual control of the Replacement Air Damper to open as required.

Additional Colored Wiring diagrams are shown on the web at www.hoyme.com