

HMI Hoyme Manufacturing Inc. **Special Note:** Circuits are colored for clarification only and are not necessarily those found in actual installations.

Wires of the **Combustion Air Damper**, however, are colored as shown.

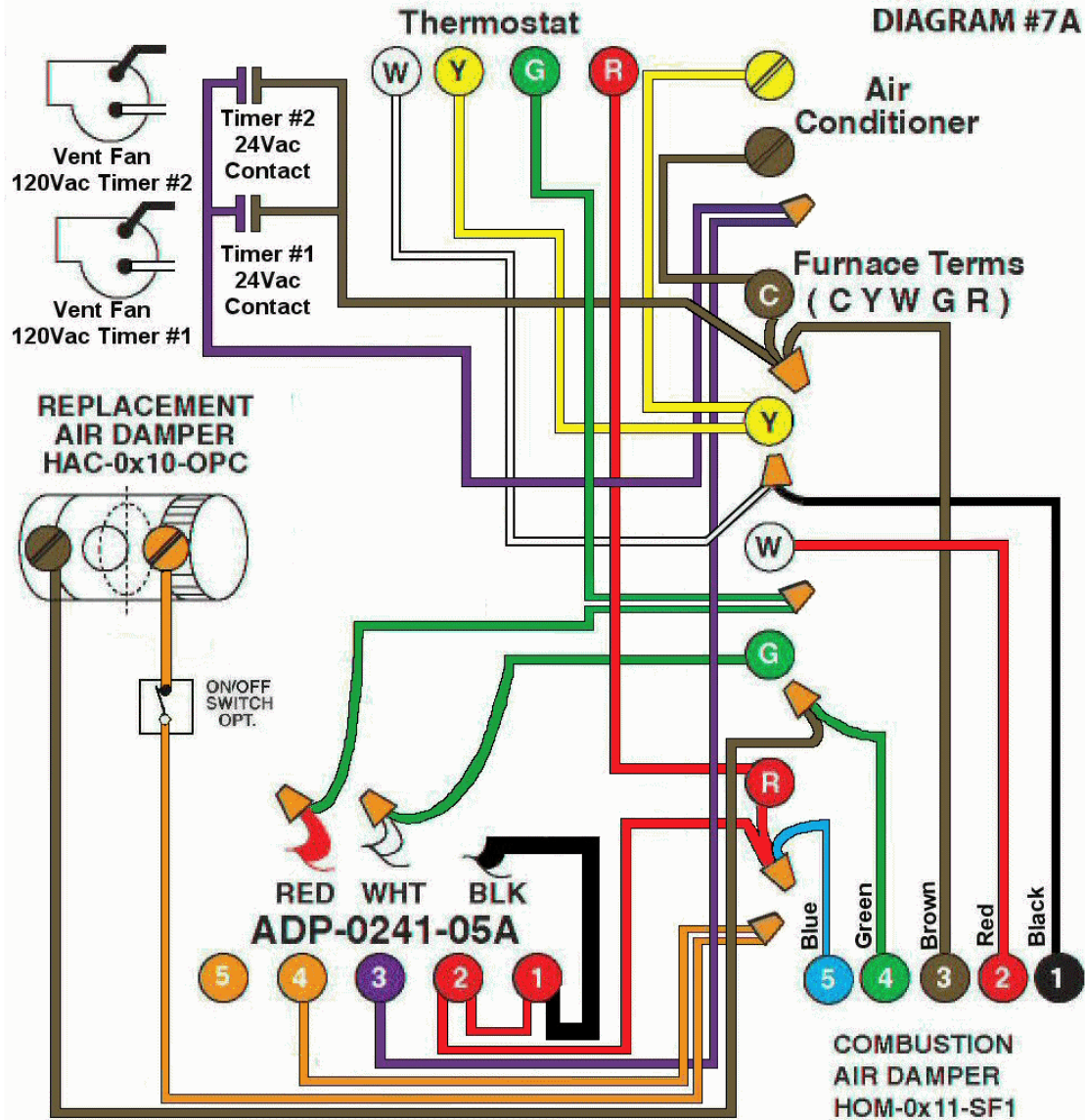


Diagram #7A: A Forced Air Furnace, a **combustion air** supply duct, a **replacement air** supply duct, **two exhaust fans**, **two individual timers** and an adaptor **ADP-0241-05A**.

1. Combustion Air Damper (**HOM-0x11-SF1**)
2. Replacement Air Damper (**HAC-0x10-OPC**)
3. Two **exhaust fans** having **individual timers** with switching capabilities
4. **24Vac Relay Adaptor (ADP-0241-05A)** to function as a control centre.

OPERATION:

1. Combustion Air Damper and Replacement Air Damper open during furnace firing.
2. Ventilation Switch/Timer (either one) turns on Exhaust Fan(s), opens Replacement Air Damper and turns on Furnace Fan simultaneously.
3. **Optional switch** (i.e. toggle switch, timer, de-humidistat) allows full control of Replacement Air damper to open as required provided it is a **Power Close** type.

N.B. Replacement Air Damper is not affected by the 'Manual' setting of the furnace fan.

Additional Colored Wiring diagrams are shown on the web at www.hoyme.com