

HMI Hoyme Manufacturing Inc. **Special Note: Circuits are colored for clarification only and are not necessarily those found in actual installations.**

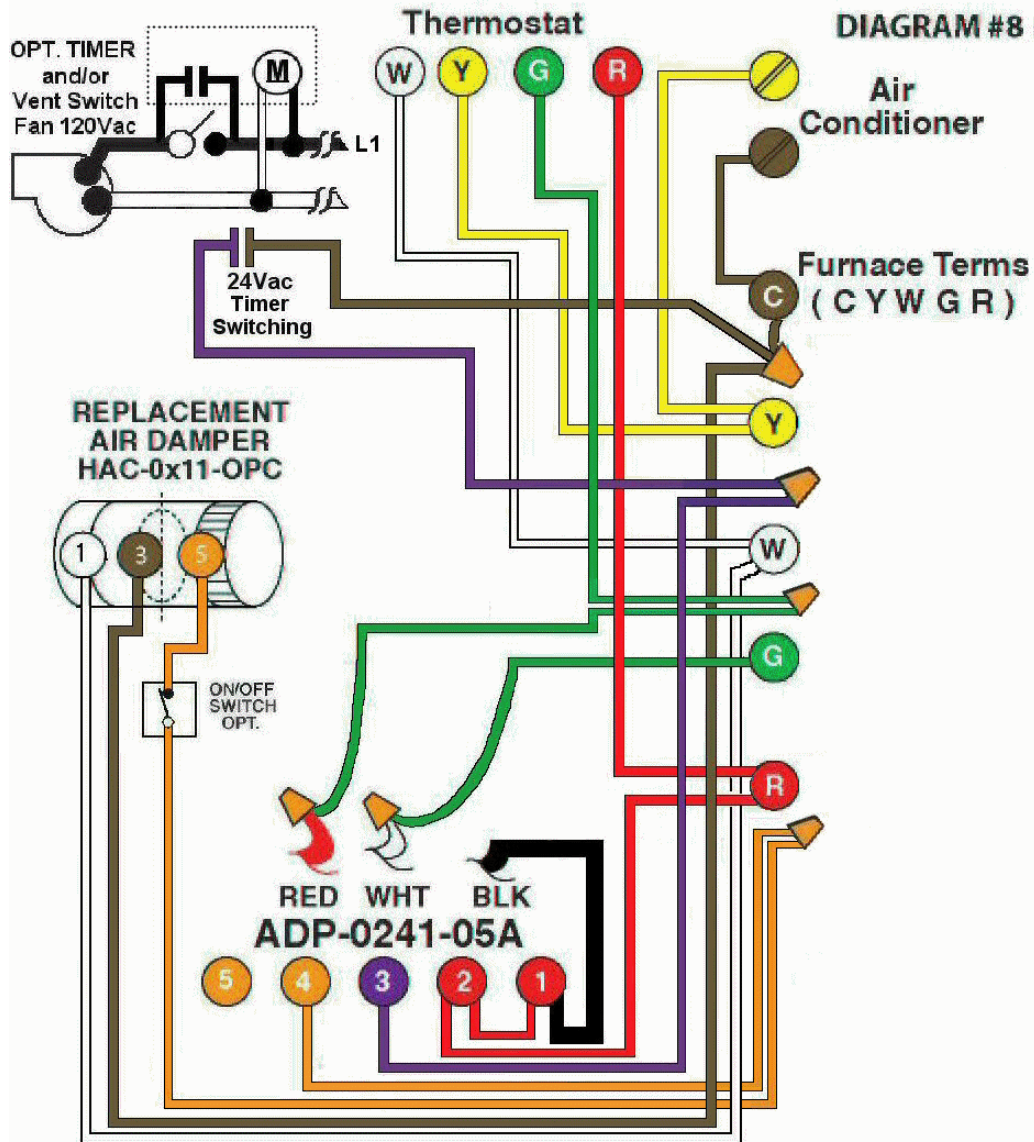


Diagram #8: Forced Air Furnace having a **replacement air** supply duct together with an **exhaust fan** controlled by a **designated ventilation switch and/or bathroom timer** that sends a **24Vac** signal to the furnace area.

1. Replacement Air Control Damper with Relay (HAC-0x11-OPC)
2. Ventilation Switch and/or bathroom timer that sends **Controlled 24Vac** to furnace area.
3. **24Vac Relay Adaptor (ADP-0241-05A)** to function as a control centre.

OPERATION:

1. Replacement air damper opens to provide fresh air during furnace firing.
2. Ventilation Switch and/or bathroom timer turns on Ventilation Fan, opens Replacement Air Damper and turns on Furnace Fan simultaneously.
3. **Optional Switch** (i.e. toggle switch, timer, de-humidistat) allows full control of Replacement Air damper to open provided it is a **PC** type with a relay.

N.B. Replacement Air Damper is not affected by the 'Manual' setting of the furnace fan.

Additional Colored Wiring diagrams are shown on the web at www.hoyme.com