

HMI Hoyme Manufacturing Inc. **Special Note:** Circuits are colored for clarification only and are not necessarily those found in actual installations.

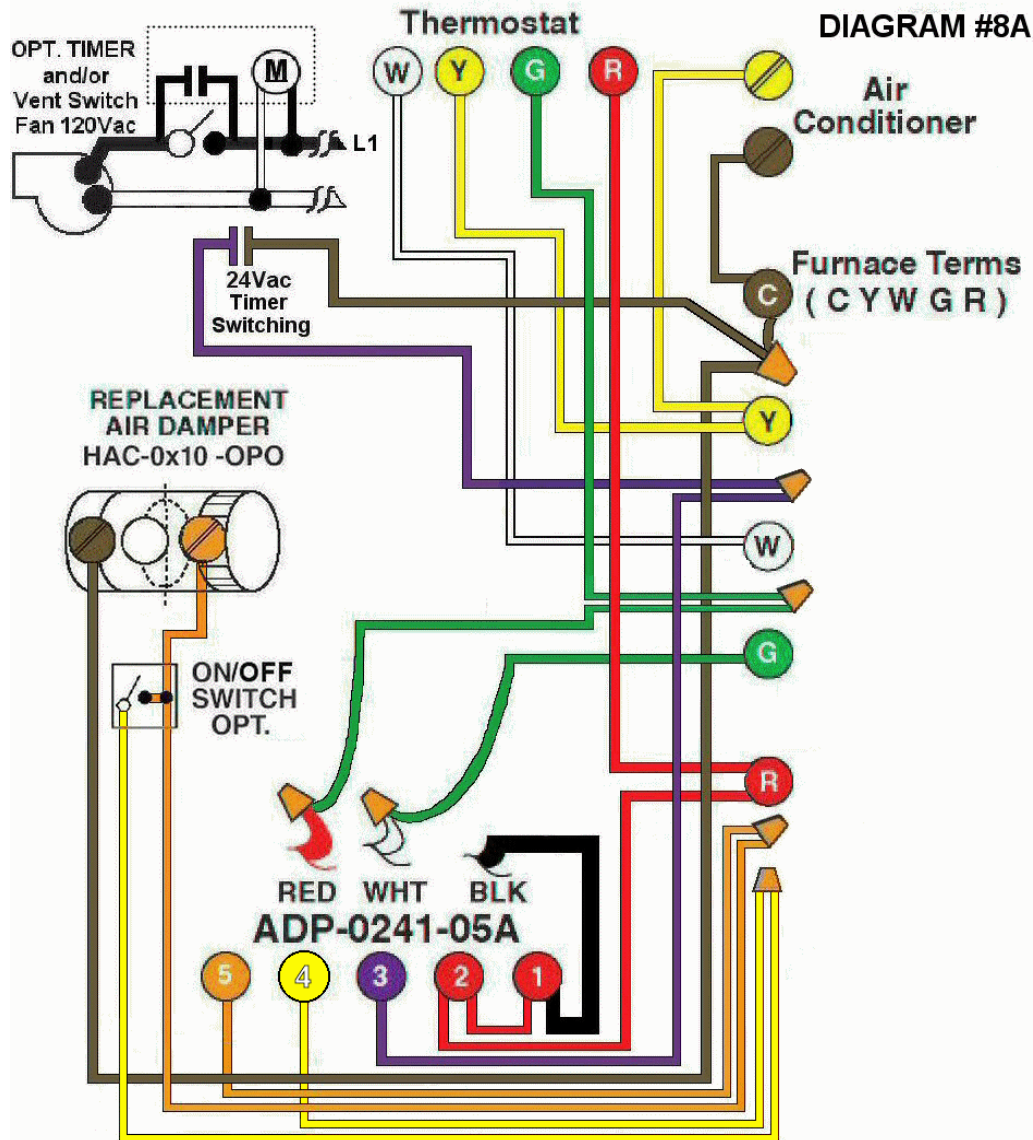


Diagram #8A: Forced Air Furnace having a replacement air supply duct together with an exhaust fan controlled by a designated ventilation switch and/or bathroom timer that sends a 24Vac signal to the furnace area.

1. Replacement Air Control Damper, Power Open (HAC-0x10-OPO)
2. Ventilation Switch and/or bathroom timer that sends **Controlled 24Vac** to furnace area.
3. **24Vac Relay Adaptor (ADP-0241-05A)** to function as a control centre.

OPERATION:

1. Furnace fires with thermostat signal.
2. Ventilation Switch and/or bathroom timer turns on Ventilation Fan, opens Replacement Air Damper and turns on Furnace Fan simultaneously. Note **PO** damper is connected to adaptor terminal #5.
3. **Optional Switch** connected between terminal #4 and #5 of the adaptor allows full control of Replacement Air damper to open as required.

N.B. Replacement Air Damper is not affected by the 'Manual' setting of the furnace fan.

Additional Colored Wiring diagrams are shown on the web at www.hoyme.com