

HMI Hoyme Manufacturing Inc. **Special Note:** Circuits are colored for clarification only and are not necessarily those found in actual installations.

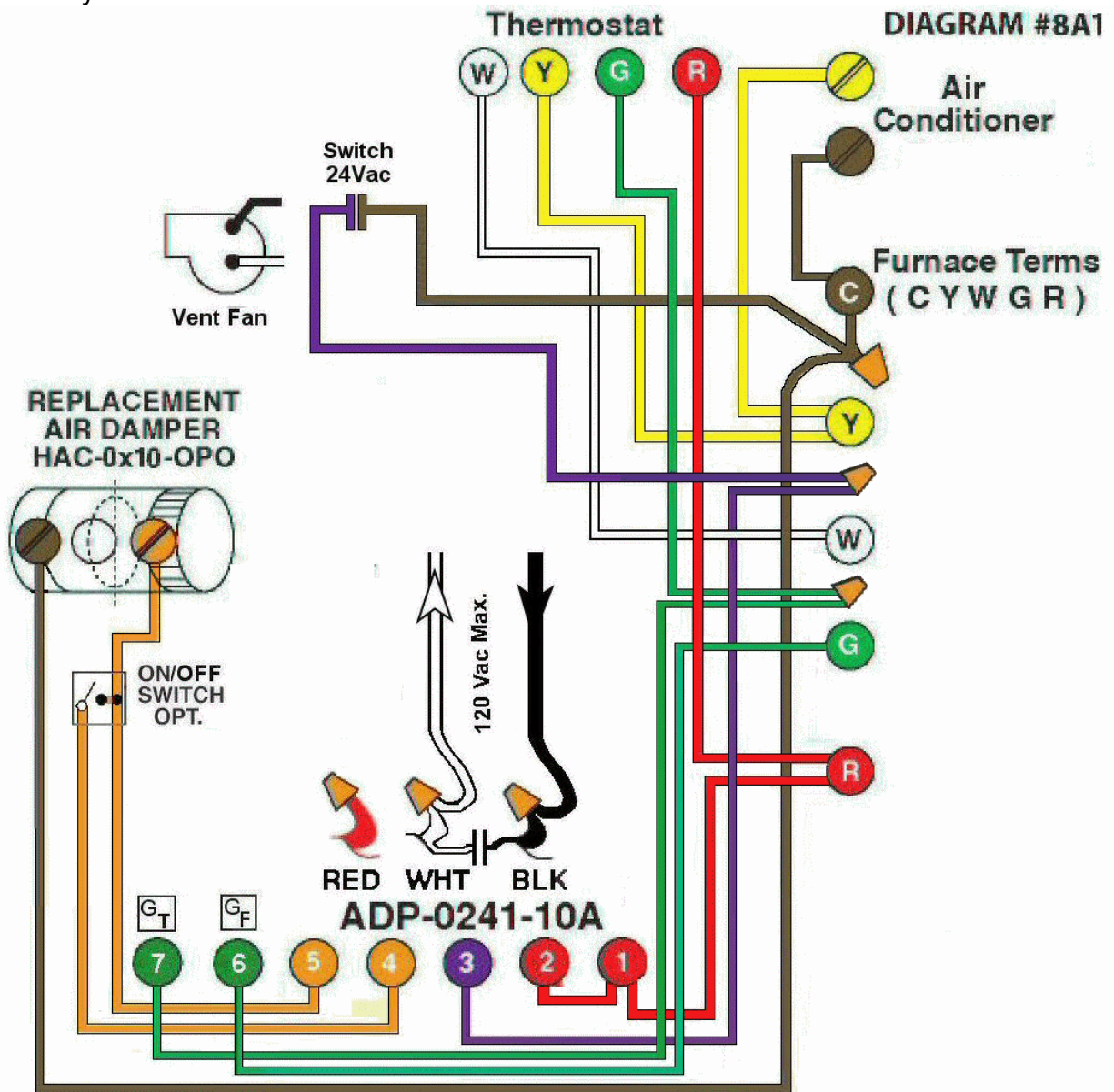


Diagram #8A1: Forced Air Furnace having a **replacement air** supply duct together with an **exhaust fan** controlled by a **24Vac Switch**.

1. Replacement Air Control Damper, Power Open (**HAC-0x10-OPO**)
2. **24Vac Switch**.
3. **24Vac Relay Adaptor (ADP-0241-10A)** to function as a control centre with 120Vac power switching to the exhaust fan.

OPERATION:

1. Furnace fires with thermostat signal.
2. 24Vac contacts/switch simultaneously turns on Furnace Fan, opens Replacement Air Damper and directly switches 120Vac to the Ventilation Fan.
3. **Optional Switch** (i.e. toggle switch, de-humidistat) allows full control of Replacement Air damper to open as required.

N.B. Replacement Air Damper is not affected by the 'Manual' setting of the furnace fan.

Additional Colored Wiring diagrams are shown on the web at www.hoyme.com