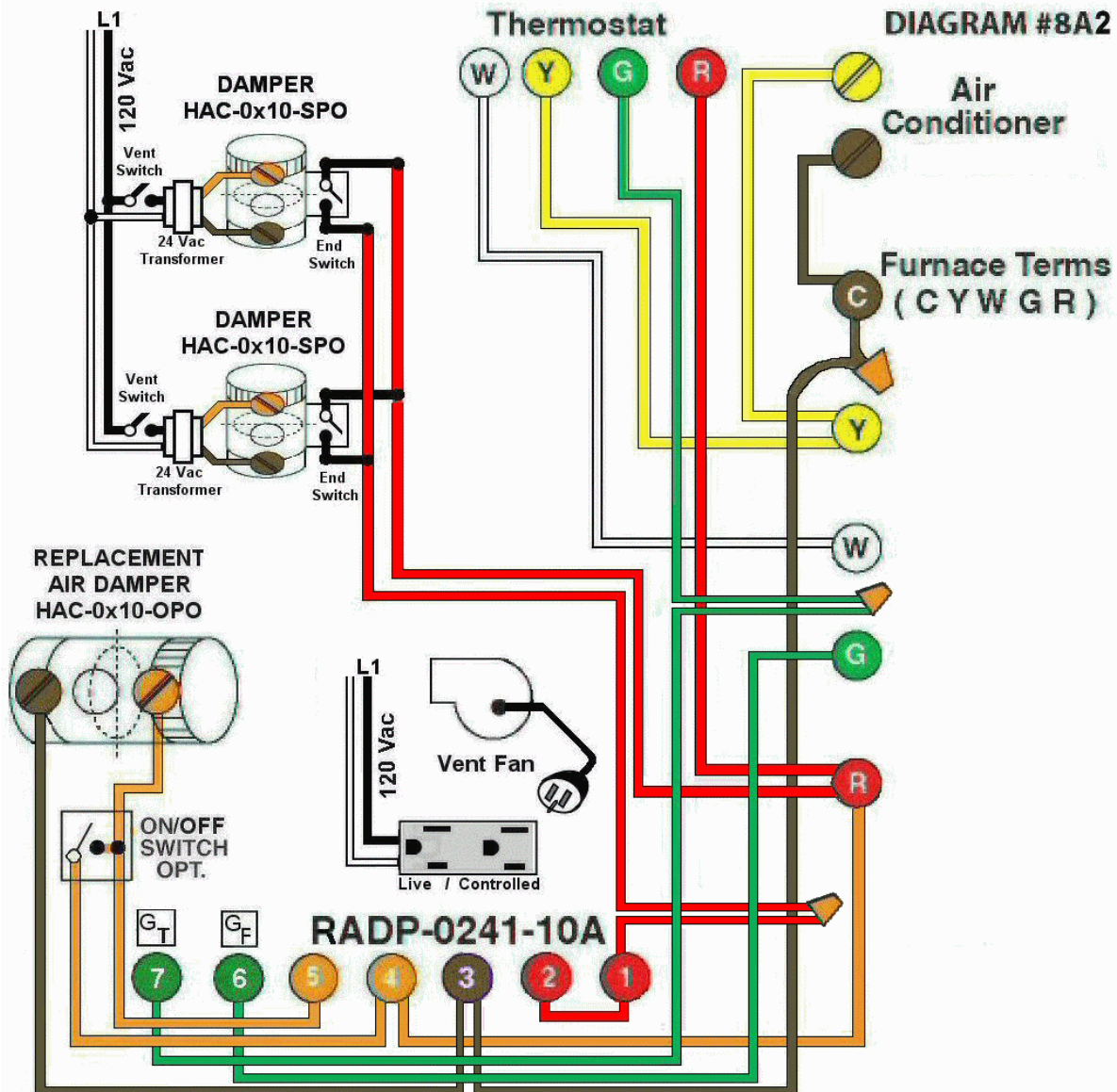


**HMI** Hoyme Manufacturing Inc. **Special Note:** Circuits are colored for clarification only and are not necessarily those found in actual installations.



**Diagram #8A2:** Forced Air Furnace having a **replacement air** supply duct together with a plug-in type **exhaust fan** venting two bathrooms equipped with **24Vac** control dampers.

1. Replacement Air Control Damper, Power Open (**HAC-0x10-OPO**);
2. Damper(s) with End Switch (**HAC-0x10-SPO**) controlled with a 24Vac transformer from each bathroom.
3. 24Vac Relay Adaptor with Duplex Receptacle (**RADP-0241-10A**) to function as a control centre supplying 120Vac for a plug-in type **exhaust fan**.

**OPERATION:**

1. Furnace fires with thermostat signal.
2. 24Vac damper with end switch simultaneously turns on Furnace Fan, opens Replacement Air Damper and supplies 120Vac to the controlled side of the Duplex Receptacle for the plug-in type exhaust Fan.
3. **Optional Switch** (i.e. toggle switch, de-humidistat) allows full control of Replacement Air damper to open as required.

**N.B.** Replacement Air Damper is not affected by the 'Manual' setting of the furnace fan.

Additional Colored Wiring diagrams are shown on the web at [www.hoyme.com](http://www.hoyme.com)