

HMI Hoyme Manufacturing Inc. **Special Note:** Circuits are colored for clarification only and are not necessarily those found in actual installations. Wires of the **MAC Fresh Air Damper**, or **HOM – Combustion Air Damper**, however, are colored as shown.

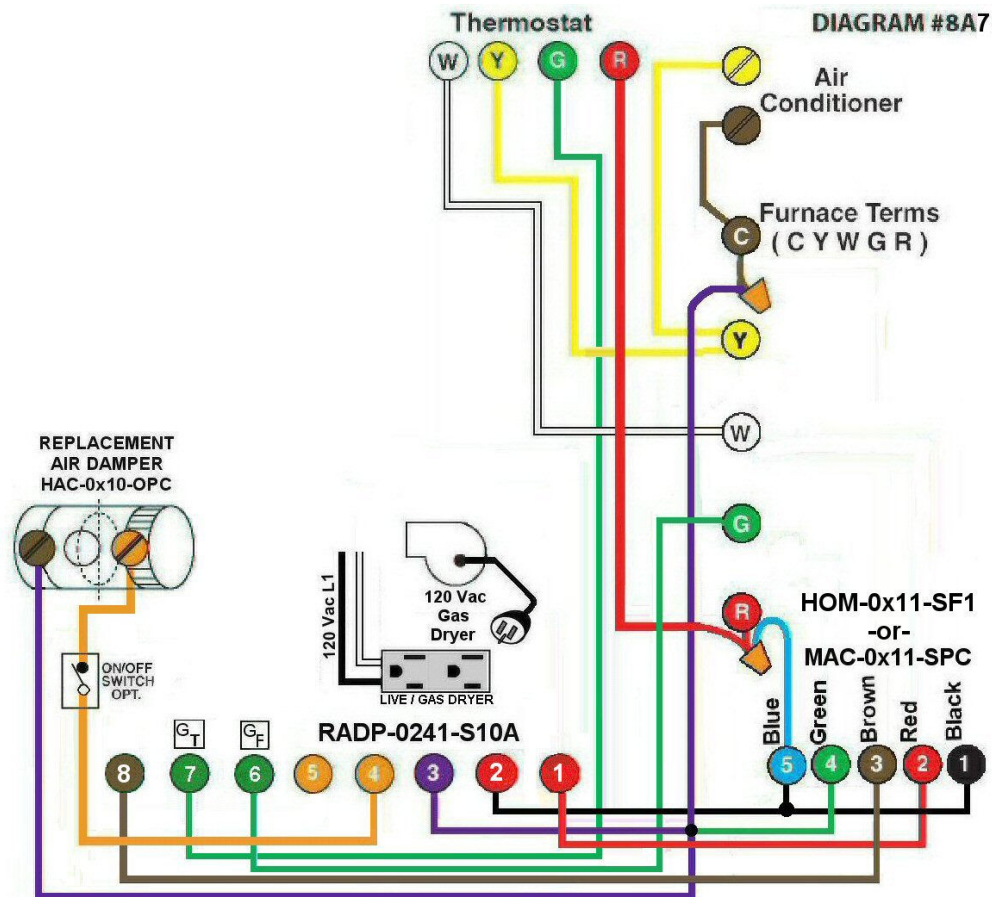


Diagram #8A7: Forced Air Furnace having a **replacement air** supply duct directed into the return plenum which provides fresh air for the living area in the home. Also included is a **separate fresh air duct** for a 120Vac **Gas Dryer**.

1. Fresh Air Damper with Relay and End Switch **MAC-0x11-SPC** (**P**ower **C**lose) or **HOM-0x11-SF1**.
2. 24Vac Relay Adaptor (**RADP-0241-S10A**) with a Duplex Receptacle and a Red Light (on/off) Switch.
3. Replacement Air Control Damper **HAC-0x10-OPC** (**P**ower **C**lose)

OPERATION:

1. The **MAC Fresh Air Damper** or **HOM Damper** is **interlocked** to open before the **Gas Dryer** operates.
2. The **HAC-0x10-OPC** and the **furnace circulation fan** are interconnected to operate simultaneously with the **MAC Damper** or **HOM Damper** during the dryer operation.
3. The **Gas Dryer** cord is plugged into the receptacle of the Adaptor **RADP-0241-S10A** and the Adaptor cord is plugged into wall outlet previously occupied by the dryer.
4. Manually turning on the Red Light Switch opens the **MAC** fresh air damper or **HOM** damper which in turn lights the switch. The **Dryer** may now be programmed to run. When the Dryer has completed its cycle, the Adaptor Red Light Switch is to be turned **off** causing the dampers to close. The HAC Damper may be left open continually by using the **Optional on/off Switch**.

Note: This installation does not interfere with the normal operation of the heating cycle of the furnace or the cooling cycle of the air conditioner.

Additional Colored Wiring diagrams are shown on the web at www.hoyme.com