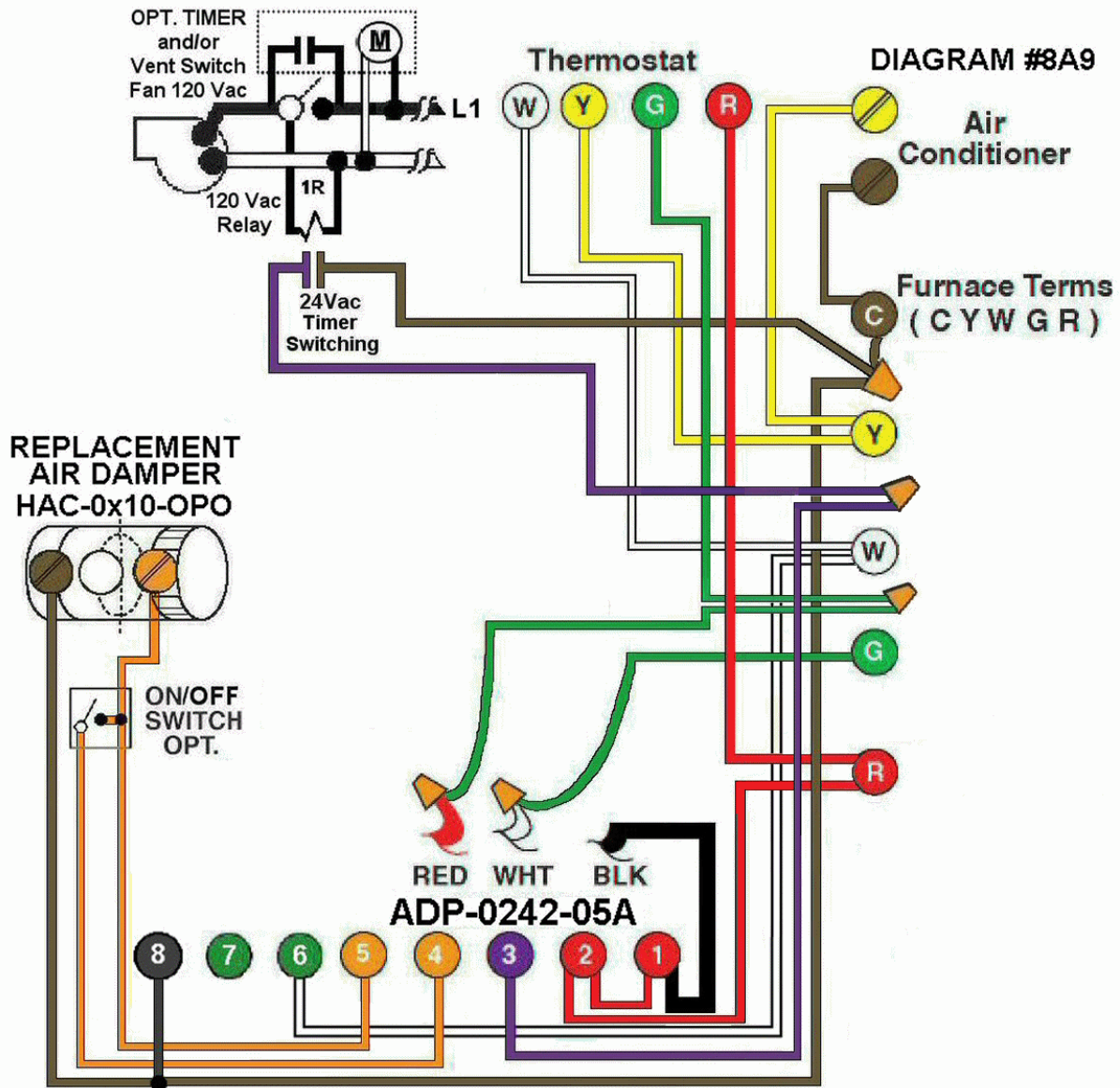


**HMI** Hoyme Manufacturing Inc. **Special Note:** Circuits are colored for clarification only and are not necessarily those found in actual installations.



**Diagram #8A9:** Forced Air Furnace having a **replacement air** supply duct together with an **exhaust fan** controlled by a **designated ventilation switch** and/or **bathroom timer** that sends a **24Vac signal** to the furnace area.

1. Replacement Air Control Damper, Power Open (HAC-0x10-OPO)
2. Ventilation Switch and/or bathroom timer that sends **Controlled 24Vac** to furnace area.
3. **24Vac Relay Adaptor (ADP-0242-05A)** to function as a control centre.

OPERATION:

1. Replacement Air Damper opens when Furnace fires with thermostat signal.
2. Ventilation Switch and/or bathroom timer turns on Ventilation Fan, opens Replacement Air Damper and turns on Furnace Fan simultaneously. Note **PO** damper is connected to adaptor terminal #5.
3. **Optional Switch** connected between terminal #4 and #5 of the adaptor allows full control of Replacement Air damper to open as required.

**N.B.** Replacement Air Damper is not affected by the 'Manual' setting of the furnace fan.

Additional Colored Wiring diagrams are shown on the web at [www.hoyme.com](http://www.hoyme.com)