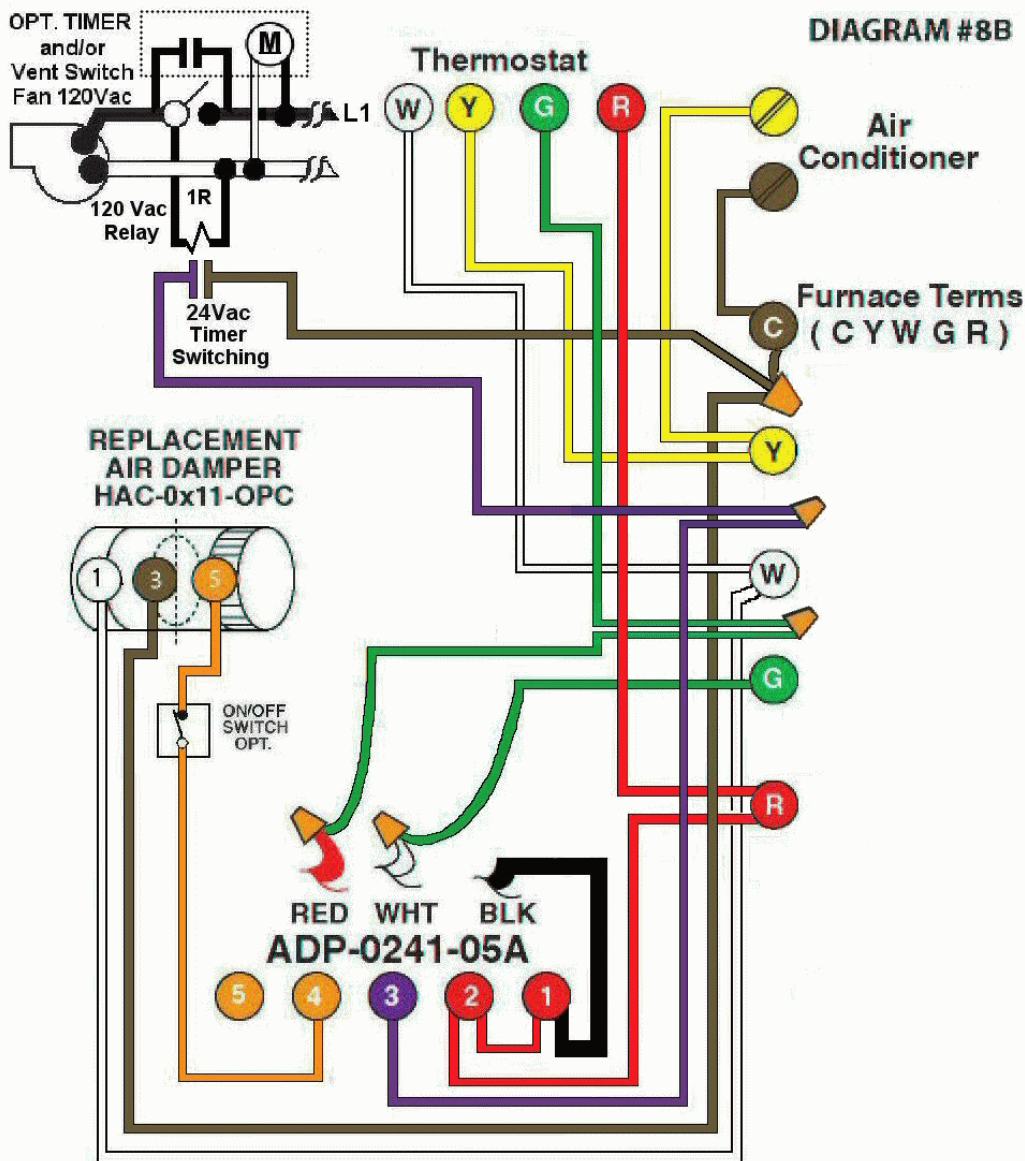


**HMI** Hoyme Manufacturing Inc. **Special Note: Circuits are colored for clarification only and are not necessarily those found in actual installations.**



**Diagram #8B:** Forced Air Furnace having a **replacement air** supply duct together with an **exhaust fan** controlled by a **designated ventilation switch** and/or **bathroom timer**.

1. Replacement Air Control Damper with Relay, Power Close (HAC-0x11-OPC)
2. Ventilation Switch and/or bathroom timer.
3. 24Vac Relay Adaptor (ADP-0241-05A) to function as a control centre.

OPERATION:

1. Replacement Air Damper opens during Furnace firing.
2. Ventilation Switch and/or bathroom timer turns on Ventilation Fan, opens Replacement Air Damper and turns on Furnace Fan simultaneously.
3. **Optional Switch** (i.e. toggle switch, timer, de-humidistat) allows full control of Replacement Air damper to open as required.

**N.B. 'Manual' setting for the furnace fan and/or operation of the air conditioner does not affect the normal operation of the Replacement Air Damper.**

Additional Colored Wiring diagrams are shown on the web at [www.hoyme.com](http://www.hoyme.com)