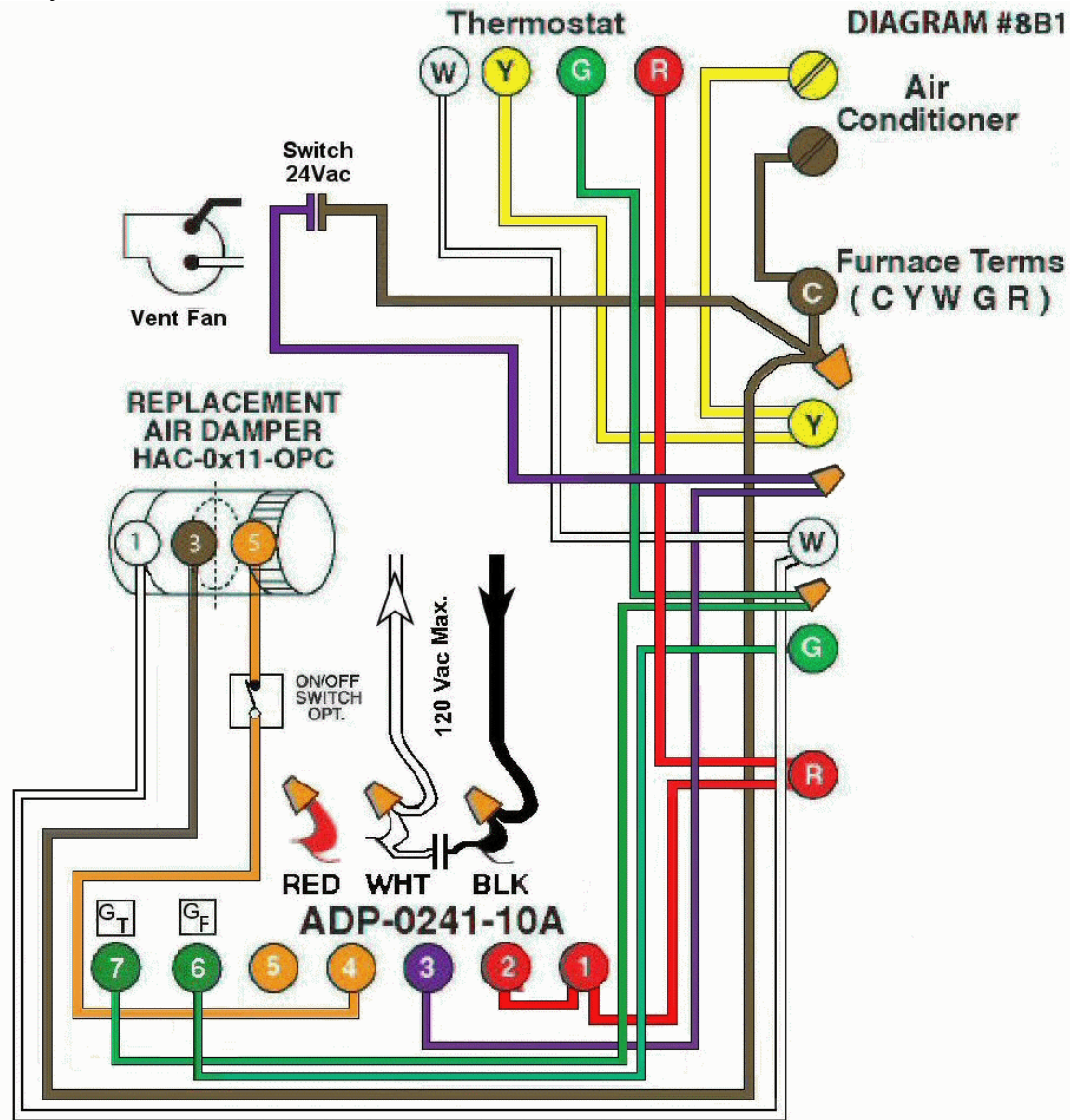


**HMI** Hoyme Manufacturing Inc. **Special Note:** Circuits are colored for clarification only and are not necessarily those found in actual installations.



**Diagram #8B1:** Forced Air Furnace having a **replacement air supply duct** together with an **exhaust fan** controlled by a **designated 24Vac ventilation switch**.

1. Replacement Air Control Damper, Power Close (**HAC-0x11-OPC**)
2. 24Vac Ventilation Switch.
3. **24Vac Relay Adaptor (ADP-0241-10A)** to function as a control centre connected to the exhaust fan.

OPERATION:

1. Furnace fires with thermostat signal and opens the replacement air damper.
2. 24Vac Ventilation Switch turns on Ventilation Fan, opens Replacement Air Damper and turns on Furnace Fan simultaneously.
3. **Optional Switch** (i.e. toggle switch, de-humidistat) allows full control of Replacement Air damper to open as required.

**N.B.** Replacement Air Damper is not affected by the 'Manual' setting of the furnace fan.

Additional Colored Wiring diagrams are shown on the web at [www.hoyme.com](http://www.hoyme.com)