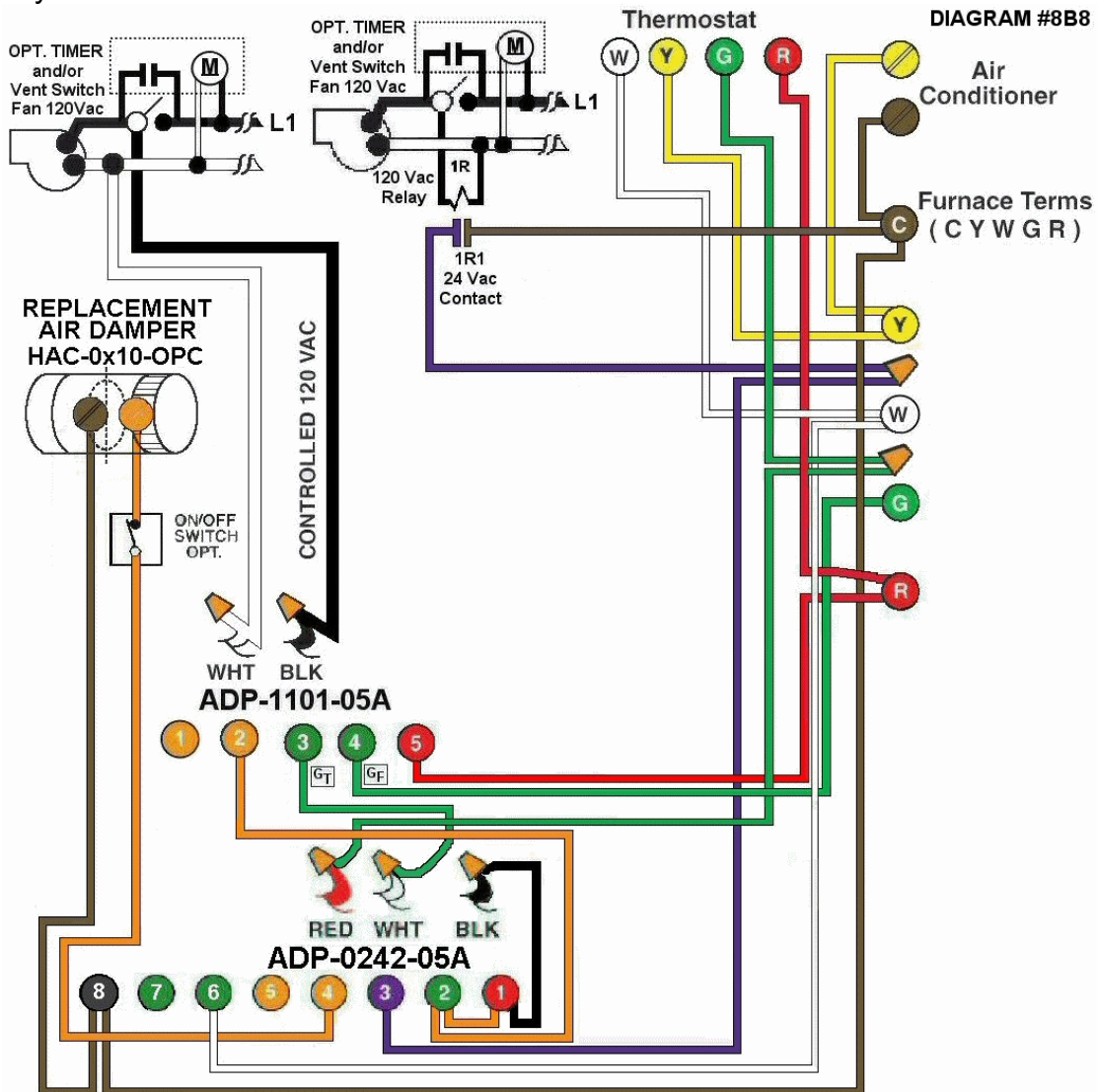


**HMI** Hoyme Manufacturing Inc. **Special Note: Circuits are colored for clarification only and are not necessarily those found in actual installations.**



**Diagram #8B8:** Forced Air Furnace having a **replacement air** supply duct controlled by a designated **ventilation switch and/or bathroom timer** and a **kitchen exhaust fan**.

1. Use **Replacement Air Control Damper (Power Close) - (HAC-0x10-OPC)**.
2. Ventilation Switch and/or bathroom timer to supply **Controlled 120Vac** to furnace area.
3. 24Vac dry contact switch points close when kitchen exhaust fan is operating.
4. Relay Adaptors (**ADP-1101-05A**) and (**ADP-0242-05A**) to function as control centers or use (**ADP-1103-TW5**).

OPERATION:

1. Replacement Damper opens to provide fresh air during the **heating cycles**.
2. **Ventilation Switch and/or bathroom timer** turns on Ventilation Fan, opens Replacement Air Damper and turns on Furnace Fan simultaneously.
3. **Kitchen Exhaust Fan** closes 24vac contact points, opens Replacement Air Damper and turns on Furnace Fan simultaneously.
4. Damper will remain closed during manual furnace fan operation.
5. **Optional Switch** (i.e. toggle switch) allows full control of the Replacement Air Damper to open separately provided it is a **Power Close** type Damper.

Additional Colored Wiring diagrams are shown on the web at [www.hoyme.com](http://www.hoyme.com)