

HMI Hoyme Manufacturing Inc. **Special Note: Circuits are colored for clarification only and are not necessarily those found in actual installations.**

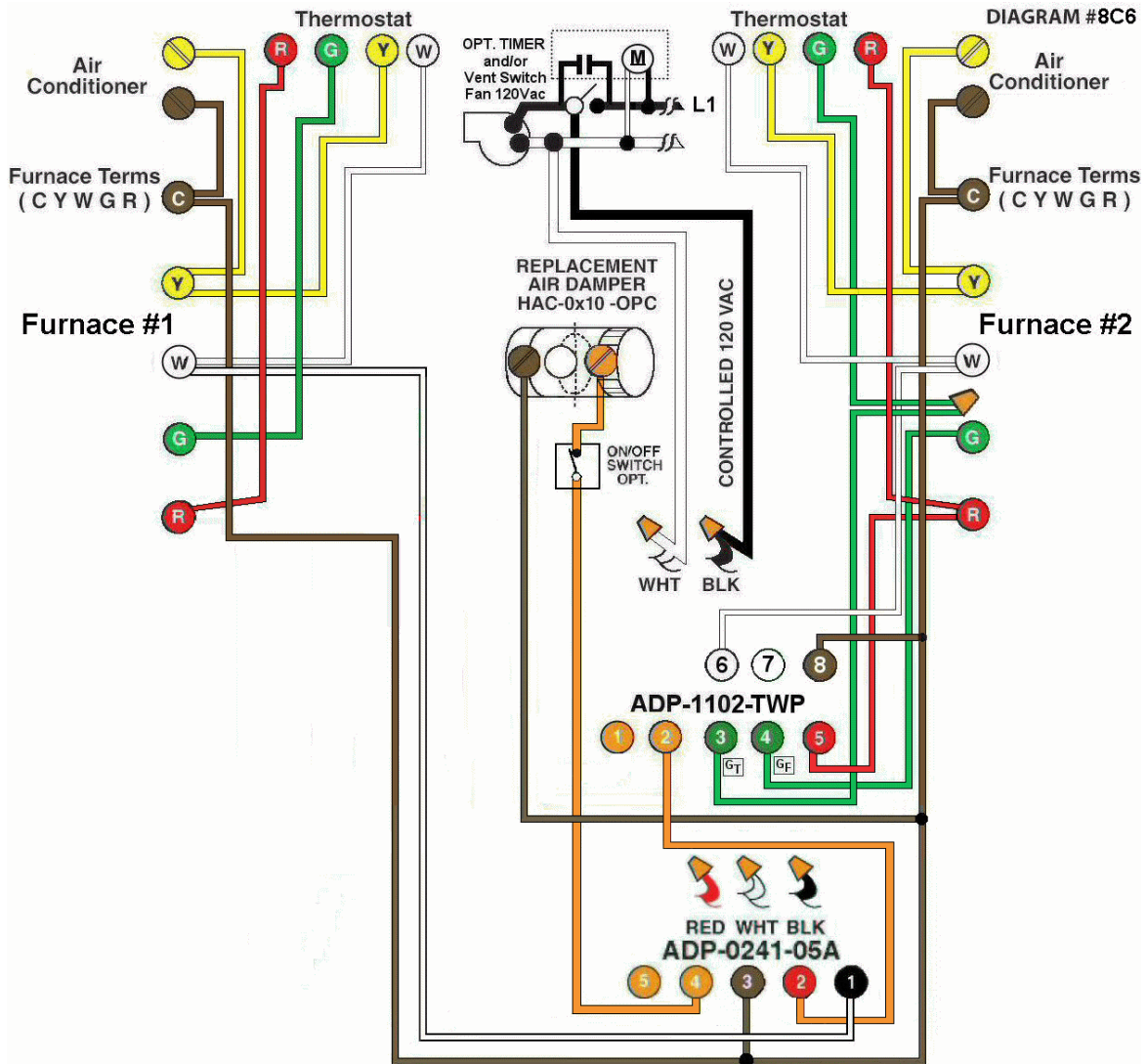


Diagram #8C6: Two Forced Air Furnaces sharing a common **replacement air** supply duct equipped with one **Power Close** fresh air damper. A **designated ventilation switch** and/or **bathroom timer** interconnected to an **ADP-1102-TWP** acting as a control centre for one furnace and an **ADP-0241-05A** interconnected and acting as a control centre for the other furnace.

1. Replacement Air Control Damper, **Power Close (HAC-0x10-OPC)** where 'x' = damper diameter. (Note: If using a **Power Open** damper, go to wiring Diagram # 8C5 for details.)
2. Ventilation switch and/or bathroom timer.
3. 24Vac Relay Adaptors (**ADP-1102-TWP**) and (**ADP-0241-05A**).

OPERATION:

1. Damper opens when either furnace fires.
2. The ventilation switch simultaneously turns on the exhaust fan, opens the damper and turns on the circulation fan on one furnace only.
3. **Optional Switch** allows full control of Replacement Air damper to open as required.

N.B. Replacement Air Damper is not affected by the 'Manual' setting of the furnace fan or by the operation of an Air Conditioner.

Additional Colored Wiring diagrams are shown on the web at www.hoyme.com