

HMI Hoyme Manufacturing Inc. **Special Note:** Circuits are colored for clarification only and are not necessarily those found in actual installations.

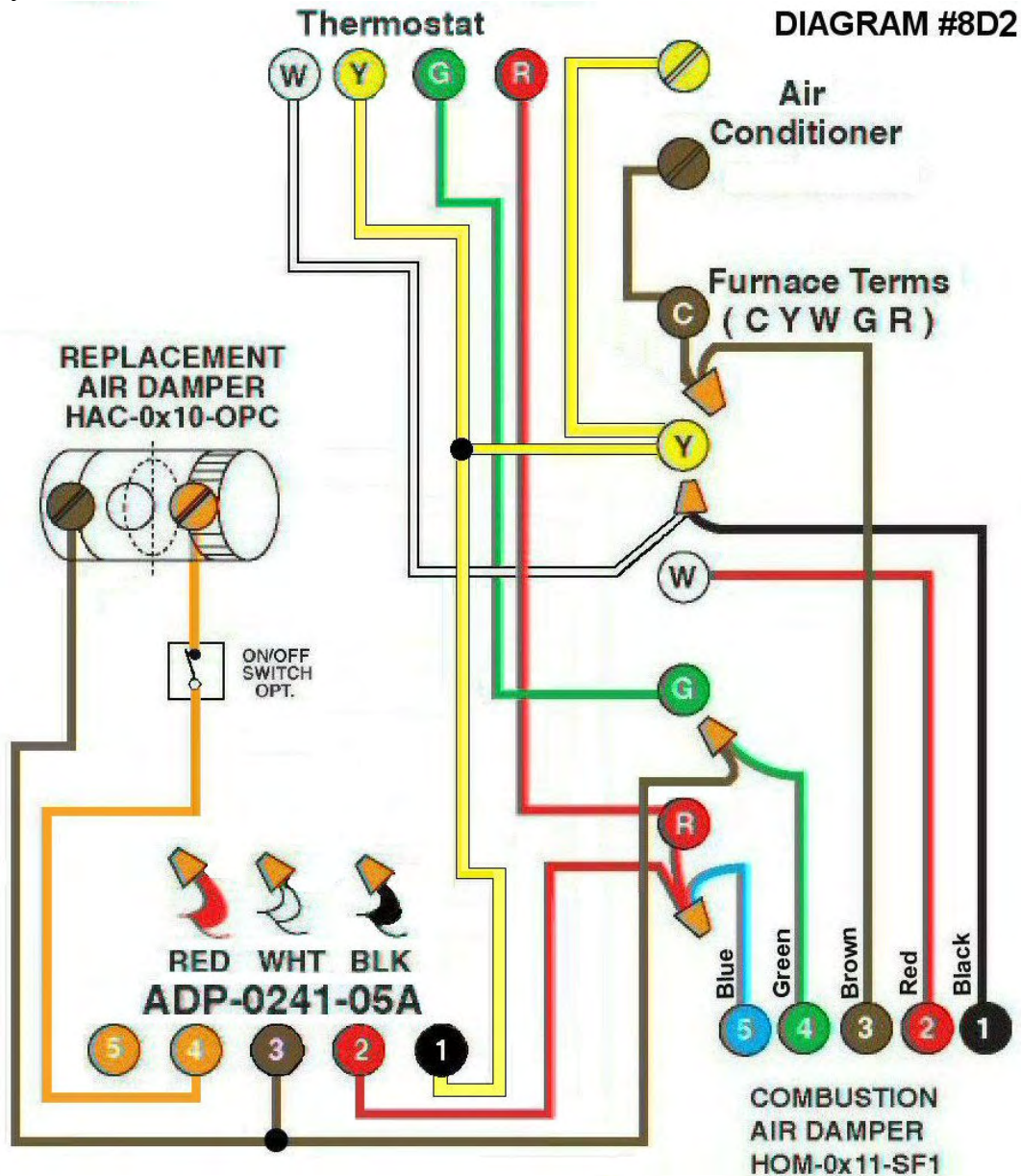


Diagram #8D2: Forced Air Furnace with a fresh air supply duct for **combustion air** and a **replacement air** supply duct.

1. **Combustion Air Damper (HOM-0x11-SF1)**
2. **Replacement Air Damper, Power Close (HAC-0x10-OPC)**
3. **24Vac Relay Adaptor (ADP-0241-05A)** to operate the replacement air damper on the cooling cycle.

OPERATION:

1. Combustion and Replacement Air Dampers open during Furnace Firing
2. The Power Close (PC) Replacement Air Control Damper also opens on the cooling cycle.
3. **Optional switch** (i.e. toggle switch, timer, de-humidistat) provides full control of Replacement Air damper to open as required.

(For Power Open damper see **Diagram #6C4**)

N.B. Replacement Air Damper is not affected by the 'Manual' setting of the furnace fan.

Additional Colored Wiring diagrams are shown on the web at www.hoyme.com