

HMI Hoyme Manufacturing Inc. **Special Note:** Circuits are colored for clarification only and are not necessarily those found in actual installations. Wires of the **Combustion Air Damper**, however, are colored as shown.

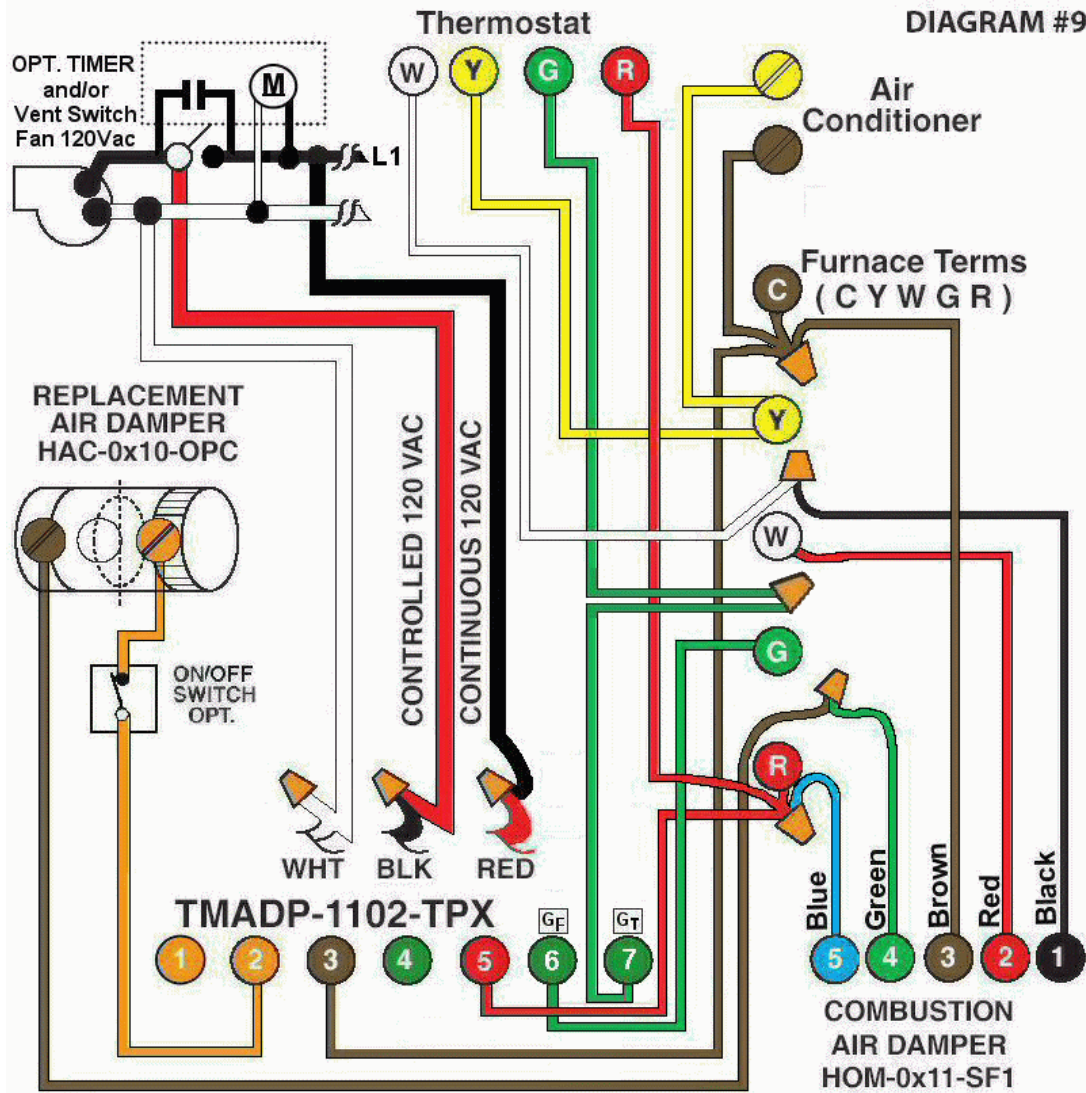


Diagram #9: Forced Air Furnace having a **combustion air** supply duct and a **replacement air** supply duct together with an **exhaust fan** controlled by a designated **ventilation switch** and/or an **optional bathroom timer** and an **interval timer**.

1. Combustion Air Damper (**HOM-0x11-SF1**)
2. Replacement Air Damper (**HAC-0x10-OPC**)
3. Ventilation Switch and/or an **optional bathroom timer** to supply **Controlled** and a **Regular 3-Wire 120Vac** power supply to the furnace area.
4. Relay Adaptor with **Interval Timer (TMADP-1102-TPX)** to function as a control centre.

OPERATION:

1. Combustion Air Damper and Replacement air damper open during furnace firing.
2. **Ventilation Switch and/or bathroom timer** turns on Ventilation Fan, opens Replacement Air Damper and turns on Furnace Fan simultaneously.
3. **Interval Timer** can be set for minimum or multiple consecutive settings of 15 minutes to turn on the **Ventilation Fan** open the **Replacement Air Damper** and turn on the **Furnace Fan** simultaneously.
4. **Optional Switch** allows full control of a **PC Replacement Air Damper**.

N.B. Replacement Air Damper is not affected by the 'Manual' setting of the furnace fan.

Additional Colored Wiring diagrams are shown on the web at www.hoyme.com