

HMI Hoyme Manufacturing Inc. **Special Note:** Circuits are colored for clarification only and are not necessarily those found in actual installations.

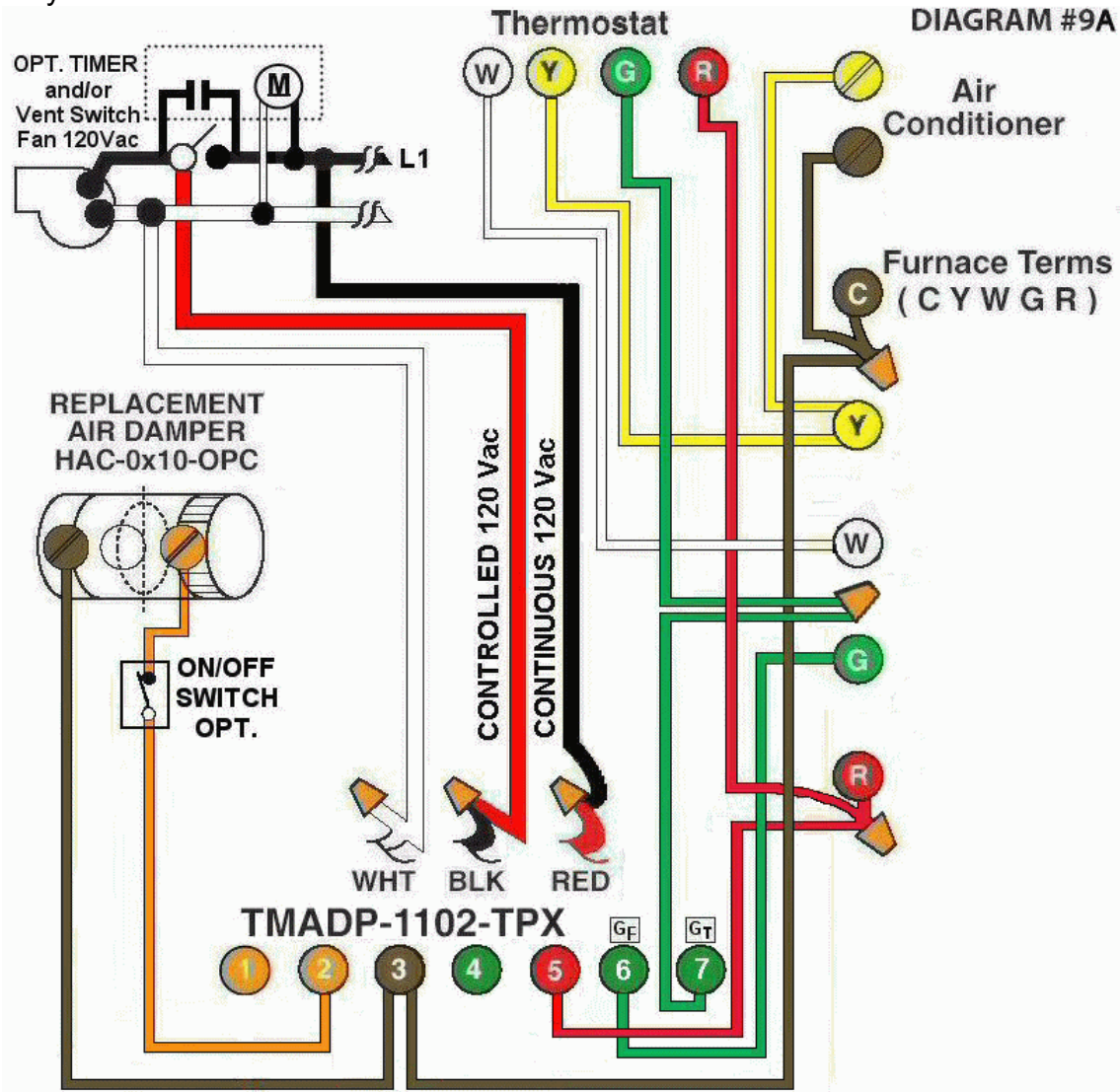


Diagram #9A: Forced Air Furnace having a **replacement** air supply duct together with an **exhaust fan** controlled by a designated **ventilation switch** and/or an **optional bathroom timer** and an **interval timer**.

1. Replacement Air Damper, power close recommended, (**HAC-0x10-OPC**) to control fresh air inlet.
2. Ventilation Switch and /or an **optional bathroom timer** supply a **Controlled** and a **Regular 120Vac 3-wire power supply** to the furnace area.
3. Relay Adaptor with **Interval Timer (TMADP-1102-TPX)** functions as the automatic control centre.

OPERATION:

1. **Furnace fires** with thermostat signal.
2. **Ventilation Switch and/or bathroom timer** turns on Ventilation Fan, opens Replacement Air Damper and turns on Furnace Fan simultaneously.
3. **Interval Timer** can be set for minimum or multiple consecutive settings of 15 minutes to simultaneously turn on **Ventilation Fan** open **Replacement Air Damper** and turn on the **Furnace Fan**.
4. **Optional switch** (i.e. toggle switch, timer, de-humidistat) allows full control of the **PC Replacement Air Damper** to open as required.

N.B. Replacement Air Damper is not affected by the 'Manual' setting of the furnace fan

Additional Colored Wiring diagrams are shown on the web at www.hoyme.com