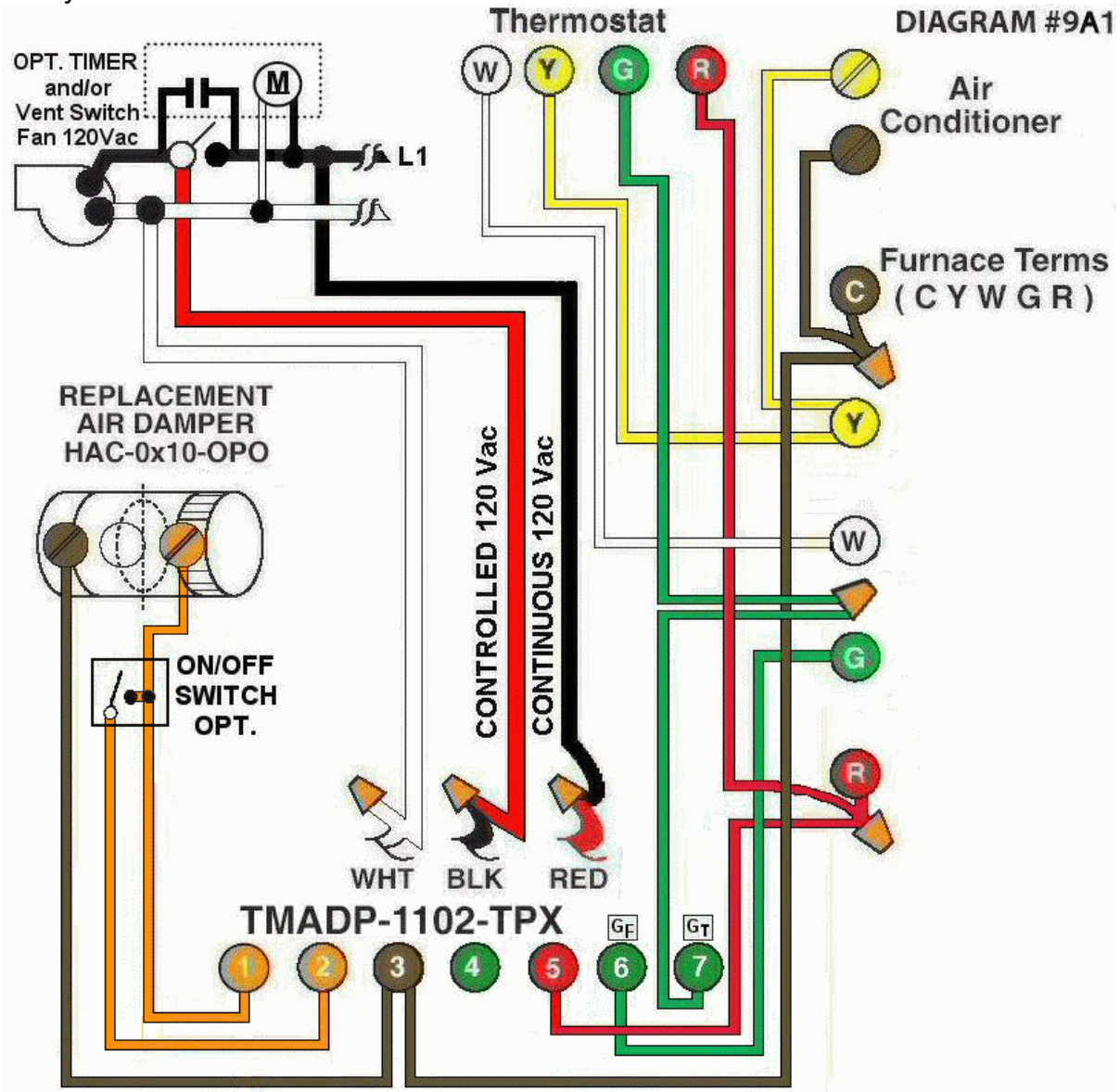


**HMI** Hoyme Manufacturing Inc. Special Note: Circuits are colored for clarification only and are not necessarily those found in actual installations.



**Diagram #9A1:** Forced Air Furnace having a **replacement air supply duct** together with an **exhaust fan** controlled by a designated **ventilation switch** and/or an **optional bathroom timer** and an **interval timer**.

1. Replacement Air Damper, power open, (**HAC-0x10-OPO**) controls fresh air inlet.
2. Ventilation Switch and/or an **optional bathroom timer** supply a **Controlled** and a **Regular 120Vac power (3-Wires)** to the furnace area.
3. Relay Adaptor with **Interval Timer (TMADP-1102-TPX)** functions as the automatic control centre.

OPERATION:

1. **Furnace fires** with thermostat signal.
2. **Ventilation Switch and/or bathroom timer** turns on Ventilation Fan, opens Replacement Air Damper and turns on Furnace Fan simultaneously.
3. **Interval Timer** can be set for minimum or multiple consecutive settings of 15 minutes to simultaneously turn on **Ventilation Fan** open **Replacement Air Damper** and turn on the **Furnace Fan**.
4. **Optional switch** (i.e. toggle switch, timer, de-humidistat) connected between #1 and #2 of the Adaptor allows full control of the **PO** Replacement Air Damper to open as required.

**N.B.** Replacement Air Damper is not affected by the 'Manual' setting of the furnace fan.

Additional Colored Wiring diagrams are shown on the web at [www.hoyme.com](http://www.hoyme.com)