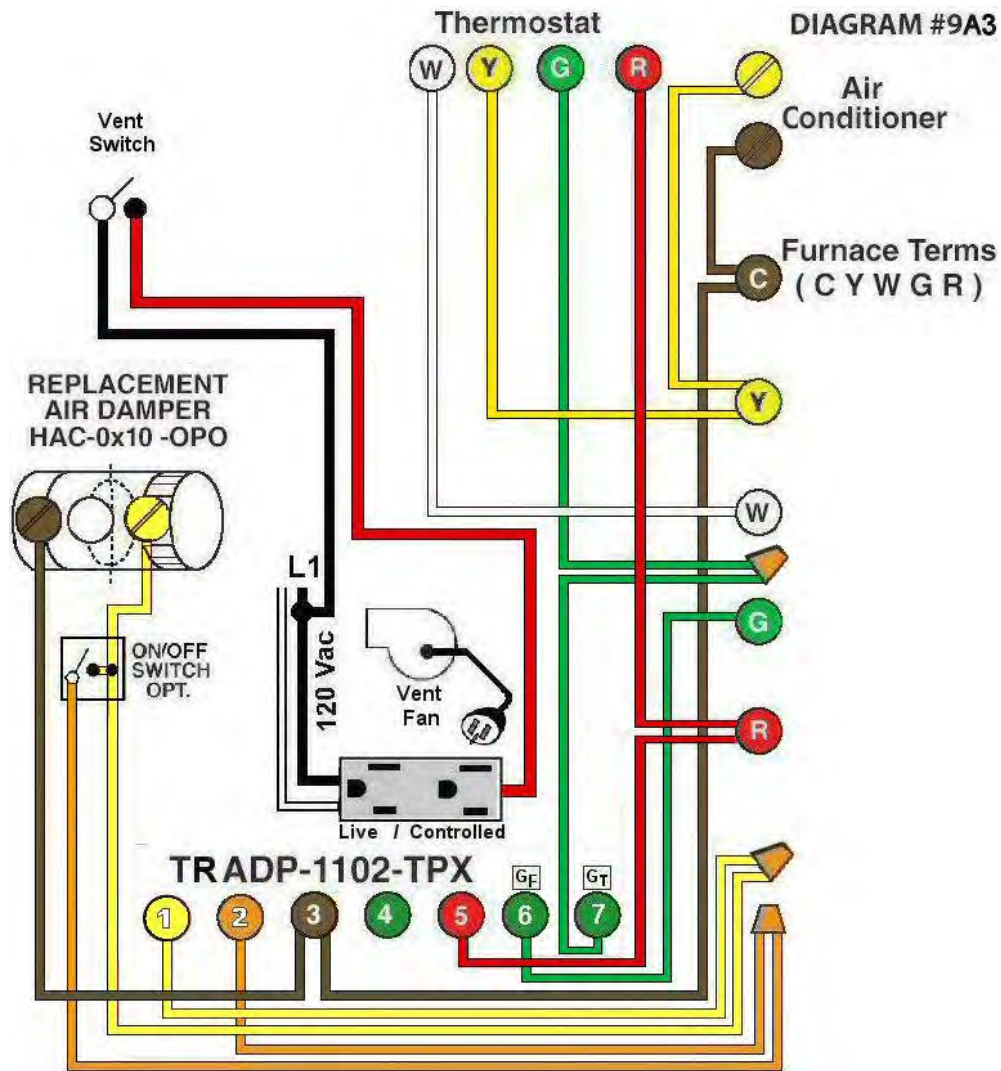


**HMI** Hoyme Manufacturing Inc. **Special Note:** Circuits are colored for clarification only and are not necessarily those found in actual installations.



**Diagram #9A3:** Forced Air Furnace having a **replacement air** supply duct together with a plug-in **exhaust fan** controlled by a designated **ventilation switch** and automatic **interval timer for recycling the entire system**.

1. Replacement Air Damper, power open, (**HAC-0x10-OPO**) controls fresh air inlet.
2. **120Vac** Ventilation Switch controls the Receptacle Timer Adaptor (**TRADP-1102-TPX**) placed in the furnace area.
3. **Plug-in Exhaust Fan** controlled by the Adaptor.
4. Relay Adaptor with **Interval Timer** functions as the automatic control centre.

OPERATION:

1. **Furnace fires** with thermostat signal.
2. **Ventilation Switch** turns on Ventilation Fan, opens Replacement Air Damper and turns on Furnace Fan simultaneously.
3. **Interval Timer (Recycler)** can be set for minimum or multiple consecutive settings of 15 minutes to simultaneously turn on **Ventilation Fan** open **Replacement Air Damper** and turn on the **Furnace Fan**.
4. **Optional switch** (i.e. toggle switch, de-humidistat) connected between #1 and #2 of the Adaptor allows full control of the **PO** Replacement Air Damper to open as required.

**N.B.** Replacement Air Damper is not affected by the 'Manual' setting of the furnace fan.

Additional Colored Wiring diagrams are shown on the web at [www.hoyme.com](http://www.hoyme.com)