

HMI Hoyme Manufacturing Inc. **Special Note: Circuits are colored for clarification only and are not necessarily those found in actual installations.**

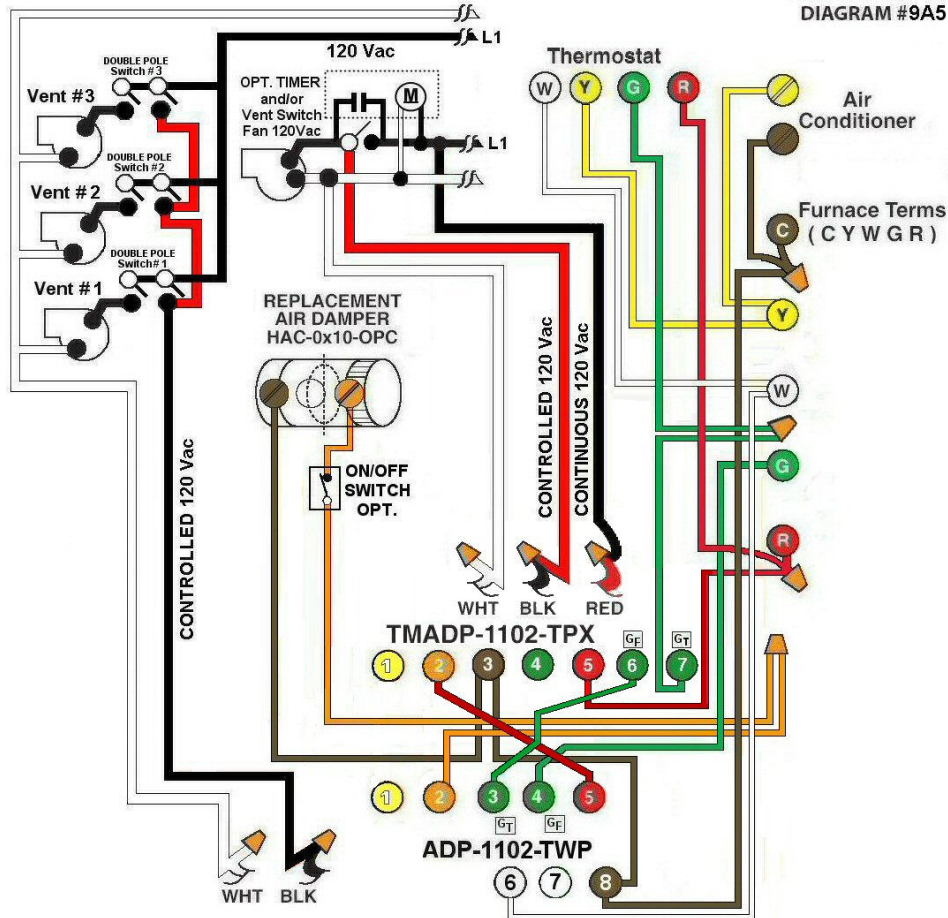


Diagram #9A5: Forced Air Furnace having a replacement air supply duct together with **two** (or more) exhaust fans controlled by **two** (or more) separate Double Pole Ventilation Switches, a Timer Adaptor and an Adaptor control by the thermostat.

1. Replacement Air Damper (HAC-0x10-OPC) to control fresh air inlet;
2. Controlled 120Vac (3-Wires) from the main exhaust fan and controlled 120Vac (2-Wire) from additional exhaust fans are required to the furnace area.
3. Double Pole Ventilation Switches for two or more exhaust fans;
4. Relay Adaptor with Interval Timer (TMADP-1102-TPX) functions as the automatic control center. Relay Adaptor (ADP-1102-TWP) allows for additional exhaust fans and also the thermostat to be interconnected.

OPERATION:

1. Fresh Air Damper opens during Furnace firing.
2. Ventilation Switch from any area turns on Exhaust Fan, opens Replacement Air Damper and turns on Furnace Fan simultaneously.
3. Adaptor Interval Timer can be set for minimum or multiple consecutive settings of 15 minutes to simultaneously turn on the principal Ventilation Fan, open Replacement Air Damper and turn on the Furnace Fan.
4. Optional switch connected to the damper and terminal #2 of the ADP-1102-TWP allows full control of the Power Close Replacement Air Damper to open as required.

(When using a Power Open Damper, see Diagram #9A4).

Note: Power supply shall be from one circuit.

N.B. Damper is not affected by the air conditioner or the 'Manual' setting of the furnace fan.

Additional Colored Wiring diagrams are shown on the web at www.hoyme.com