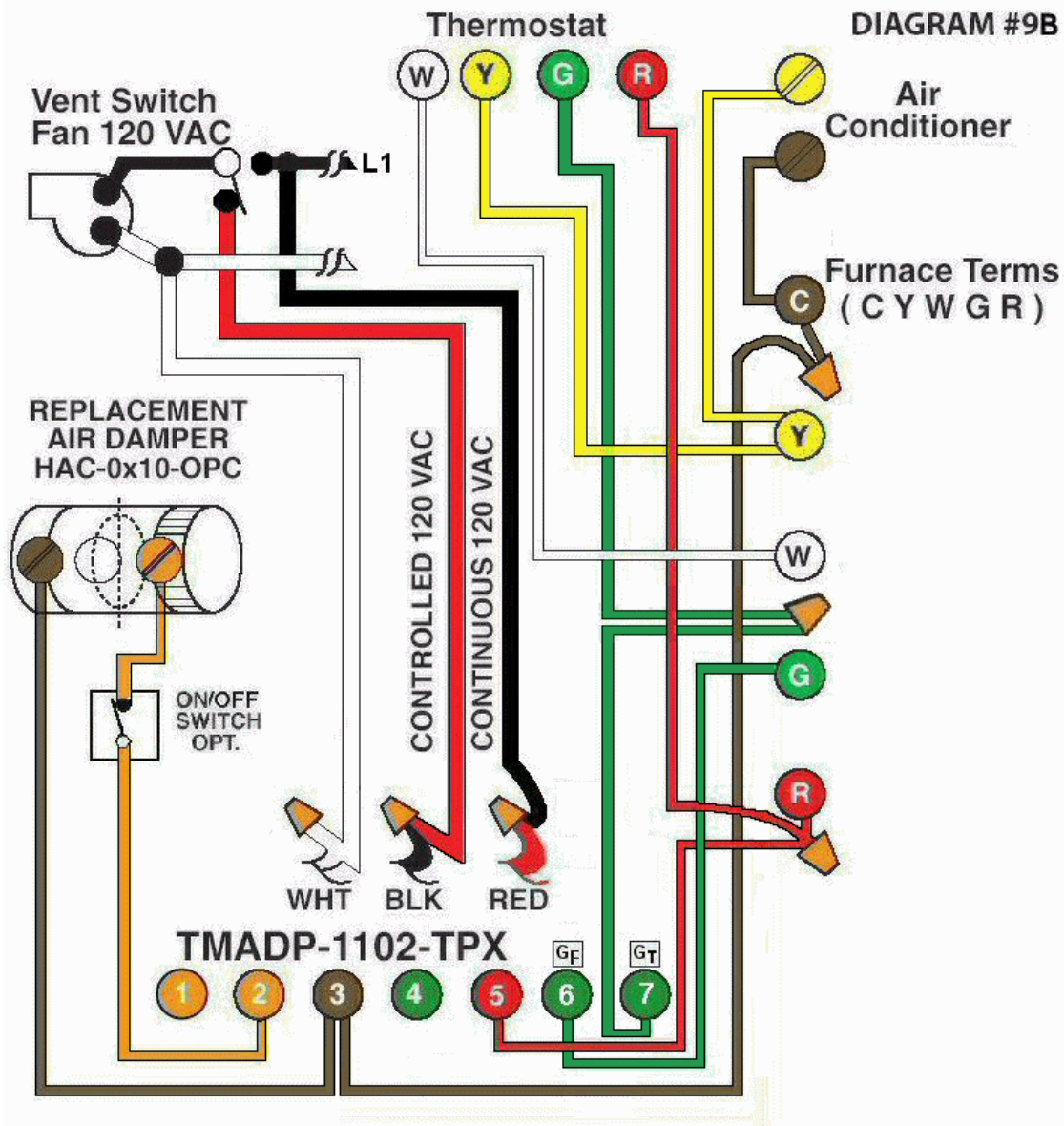


**HMI** Hoyme Manufacturing Inc. Special Note: Circuits are colored for clarification only and are not necessarily those found in actual installations.



**Diagram #9B:** Forced Air Furnace having a **replacement** air supply duct together with an **exhaust fan** controlled by a designated **3-way ventilation switch** and/or an **interval timer Adaptor**.

1. Replacement Air Damper, power close recommended, **(HAC-0x10-OPC)**
2. Ventilation Switch (**3-way**) supplies a **Controlled** and a **Regular 120Vac (3-wires)** to the furnace area without interference to the AC.
3. Relay Adaptor with **Interval Timer Adaptor (TMADP-1102-TPX)** functions as a control centre.

OPERATION:

1. Furnace fires with thermostat signal.
2. **Three-way Ventilation Switch in one position** allows the normal function of the **Timer Adaptor** to turn on the Ventilation Fan, open the Replacement Air Damper and turn on the Furnace Fan simultaneously. The **Ventilation switch in the other position**, turns on the **ventilation fan only (Not recommended unless living in coastal climates warmer than -10C and/or ample replacement air is supplied)**.
3. **Optional switch** (i.e. toggle switch, timer, de-humidistat) allows full control of Replacement Air Damper to open as required provided it is a **PC** type.

**N.B.** Replacement Air Damper is not affected by the 'Manual' setting of the furnace fan.

Additional Colored Wiring diagrams are shown on the web at [www.hoyme.com](http://www.hoyme.com)