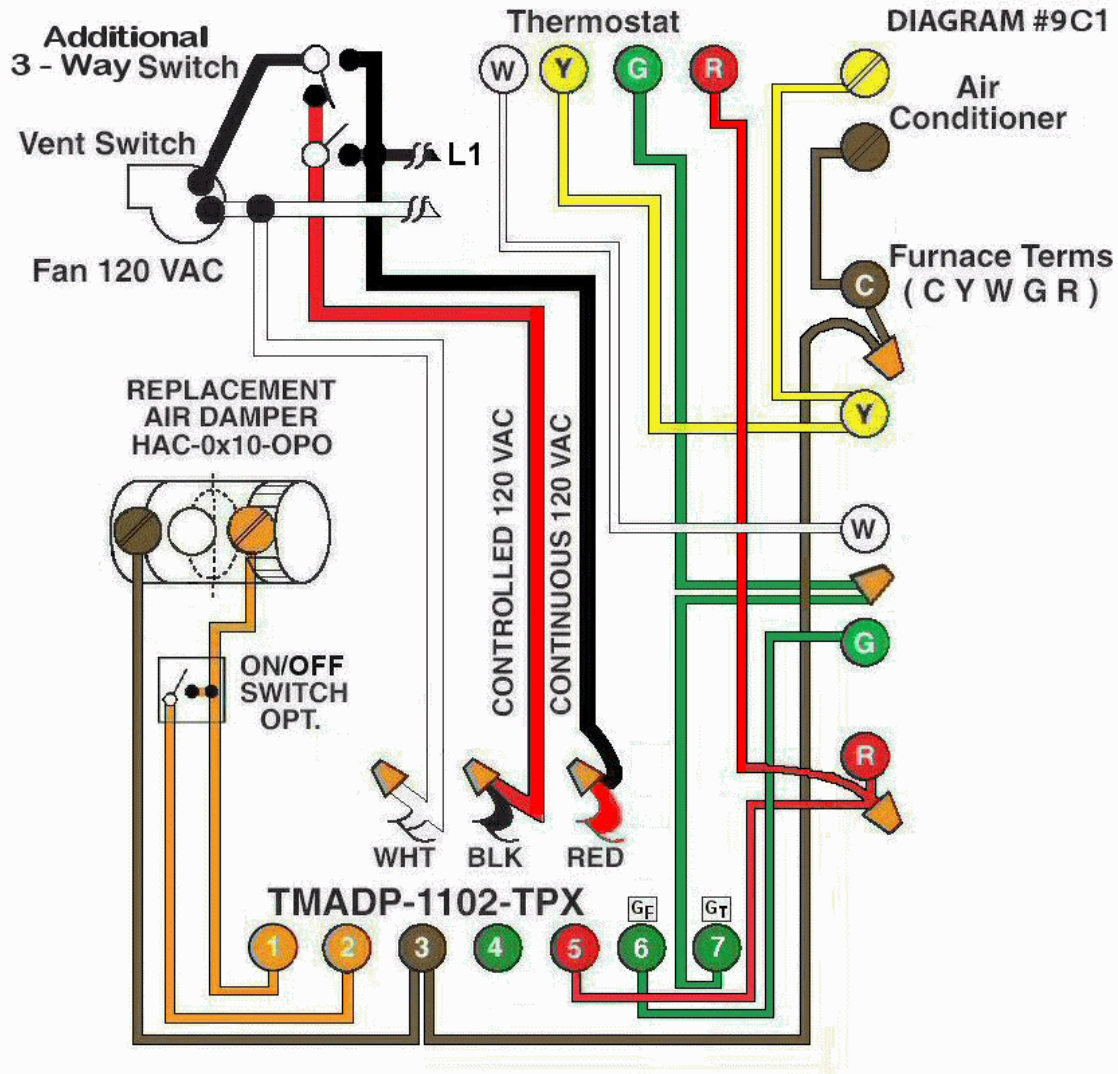


**HMI** Hoyme Manufacturing Inc. **Special Note:** Circuits are colored for clarification only and are not necessarily those found in actual installations.



**Diagram #9C1:** Forced Air Furnace having a **replacement air supply duct** and an **exhaust fan** controlled by a designated **ventilation switch**, a **3-way ventilation switch** and an **Interval Timer Adaptor**.

1. **Replacement Air Damper**, power open, (HAC-0x10-OPO)
2. **Ventilation Switch** supplies a **Controlled** and a **Regular 120Vac (3-Wire)** power supply to the furnace area.
3. A **3-way Ventilation Switch** to control ventilation fan only.
4. An **Interval Timer Adaptor (TMADP-1102-TPX)** which functions as a complete control centre.

OPERATION:

1. Furnace fires with thermostat signal.
2. **Ventilation switch** turns on Ventilation Fan, opens Replacement Air Damper and turns on Furnace Fan simultaneously.
3. **Three-way Ventilation Switch** turns on the Ventilation Fan only. **(Not recommended unless living in coastal climates warmer than -10C and/or ample replacement air is supplied).**
4. **Optional switch** (i.e. toggle switch, timer, de-humidistat) connected between #1 and #2 of the Adaptor allows full control of the **PO** Replacement Air Damper to open as required.

**N.B.** Replacement Air Damper is not affected by the 'Manual' setting of the furnace fan.

Additional Colored Wiring diagrams are shown on the web at [www.hoyme.com](http://www.hoyme.com)