

HMI Hoyme Manufacturing Inc. **Special Note:** Circuits are colored for clarification only and are not necessarily those found in actual installations. **Combustion Air Damper Wires**, however, are colored as shown.

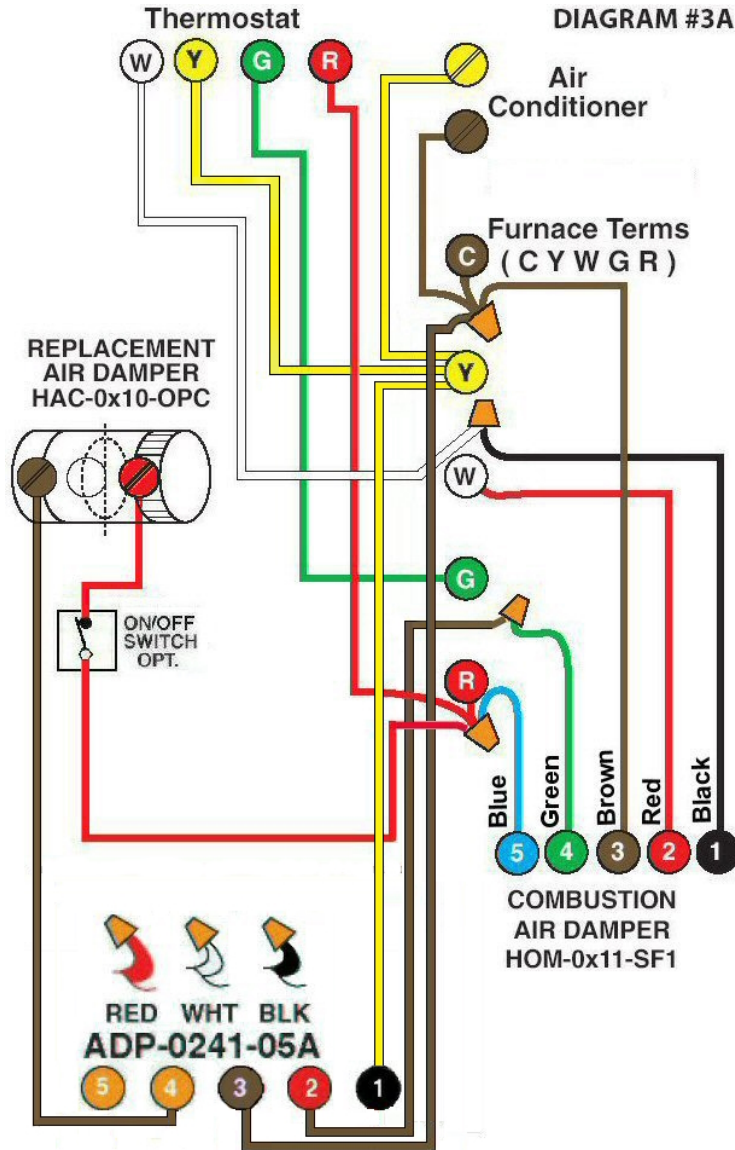


Diagram #3A: Forced Air Furnace having a combustion fresh air supply duct and a replacement air supply duct.

ADDED:

1. **Combustion Air Damper (HOM-0x11-SF1)**
2. **Replacement Air Damper. Power Close damper is required. (HAC-0x10-OPC)**
3. **Relay Adaptor (ADP-0241-05A)**

OPERATION:

1. Replacement Air Damper is inter-connected to the Combustion Air Damper which is interlocked so that both dampers open during the heating cycle and close when the fire stops. HAC opens for A/C.
2. **Optional switch** (i.e. toggle switch, timer, de-humidistat) allows full control of Replacement Air damper to open **provided** it is the **Power Close (**PC**)** type.

N.B. Replacement Air Damper is not affected by the 'Manual' setting of the furnace fan.
 Additional Colored Wiring Diagrams are shown on the web at www.hoyme.com