

HMI Hoyme Manufacturing Inc. **Special Note: Circuits are colored for clarification only and are not necessarily those found in actual installations.**

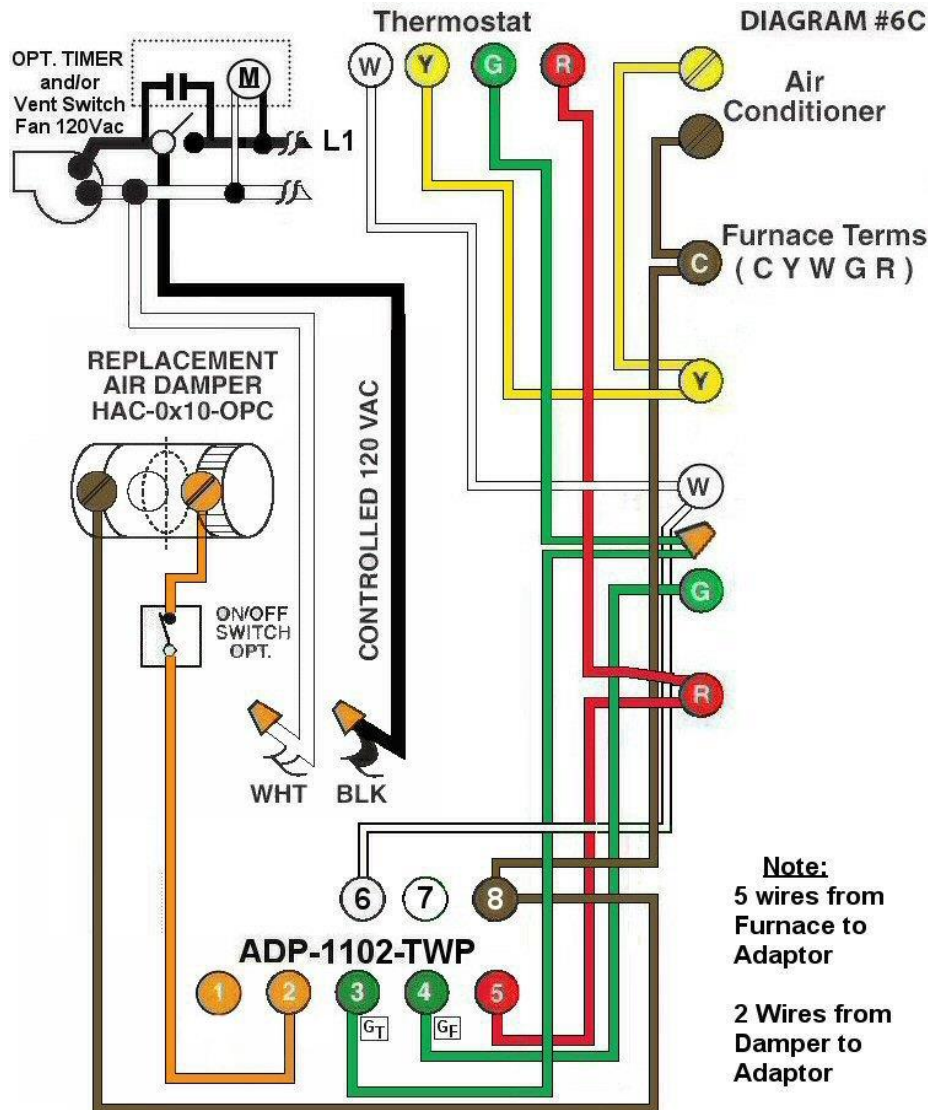


Diagram #6C: Forced Air Furnace having a **replacement air damper** together with and **exhaust fan** controlled by a designated **ventilation switch and/or bathroom timer**.

1. Use **Replacement Air Control Damper (Power Close) - (HAC-0x10-OPC)**.
2. Ventilation Switch and/or bathroom timer to supply **Controlled 120Vac** to furnace area.
3. Relay Adaptor (**ADP-1102-TWP**) to function as a control centre.

OPERATION:

1. Replacement Damper opens to provide fresh air during the **ventilation and/or heating cycle**.
2. **Ventilation Switch and/or bathroom timer** turns on Ventilation Fan, opens Replacement Air Damper and turns on Furnace Fan simultaneously.
3. **Optional Switch** (i.e. toggle switch, timer, de-humidistat) allows full control of the Replacement Air Damper as required.

N.B. Replacement Air Damper is not affected by the 'Manual' setting of the furnace fan.
Also the Air Conditioner is not affected by the use of this wiring system.

Additional Colored Wiring diagrams are shown on the web at www.hoyme.com