

HMI Hoyme Manufacturing Inc. **Special Note:** Circuits are colored for clarification only and are not necessarily those found in actual installations.

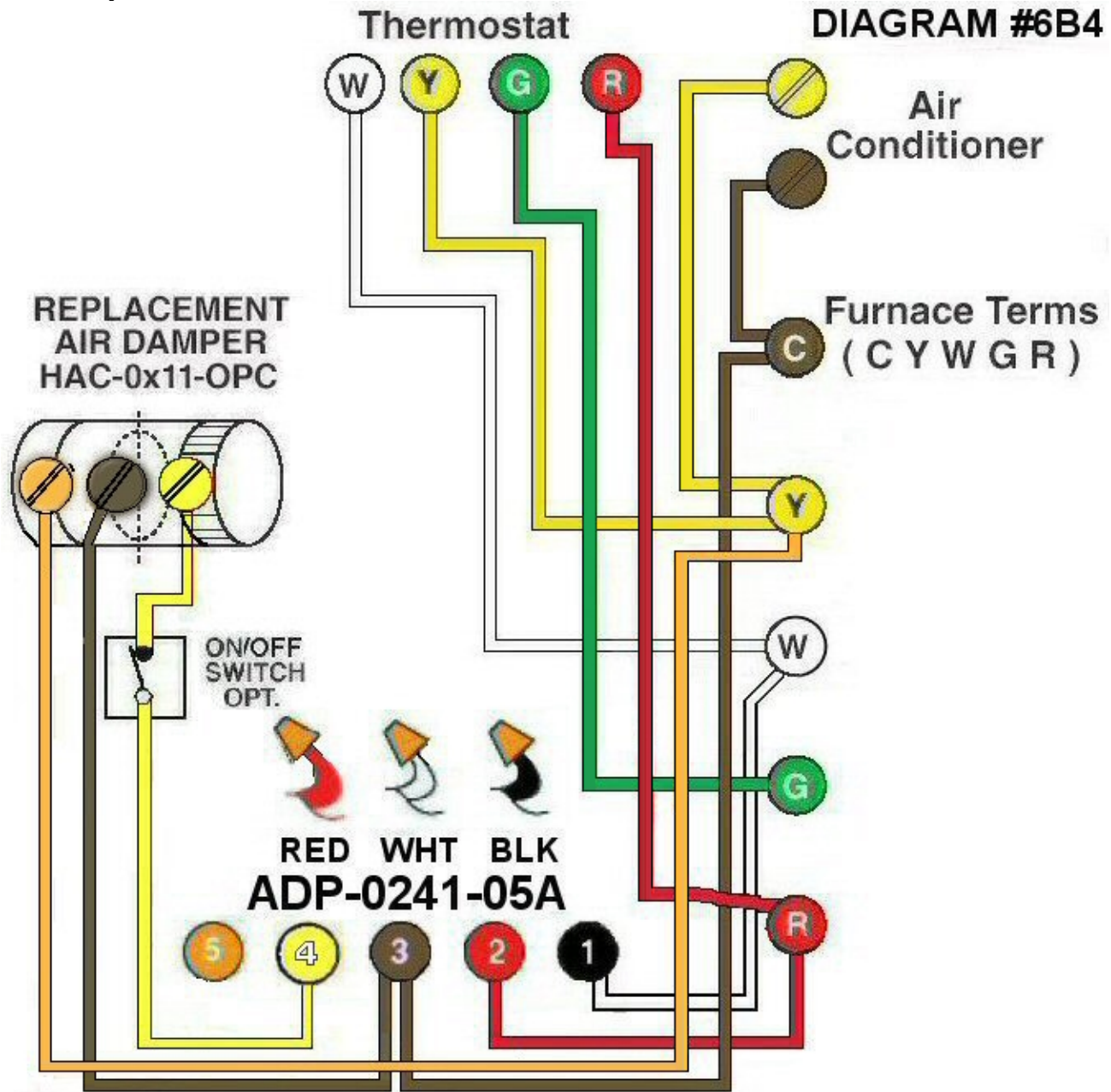


Diagram #6B4: Forced Air Furnace having a **replacement air** supply duct.

1. Replacement Air Control Damper (**PC**) with **Relay (HAC-0x11-OPC)**, energized relay opens damper during cooling cycle.
2. Relay Adaptor (**ADP-0241-05A**) to open damper during heating cycle.

OPERATION:

1. Replacement Damper opens to provide fresh air during the **heating and cooling cycle**.
2. **Optional Switch** (i.e. toggle switch, timer, de-humidistat) allows full control of the Replacement Air Damper to open as required provided it is **PC** type.

N.B. Replacement Air Damper is not affected by the 'Manual' setting of the furnace fan.

Additional Colored Wiring diagrams are shown on the web at www.hoyme.com