

HMI Hoyme Manufacturing Inc. Special Note: Circuits are colored for clarification only and are not necessarily those found in actual installations.

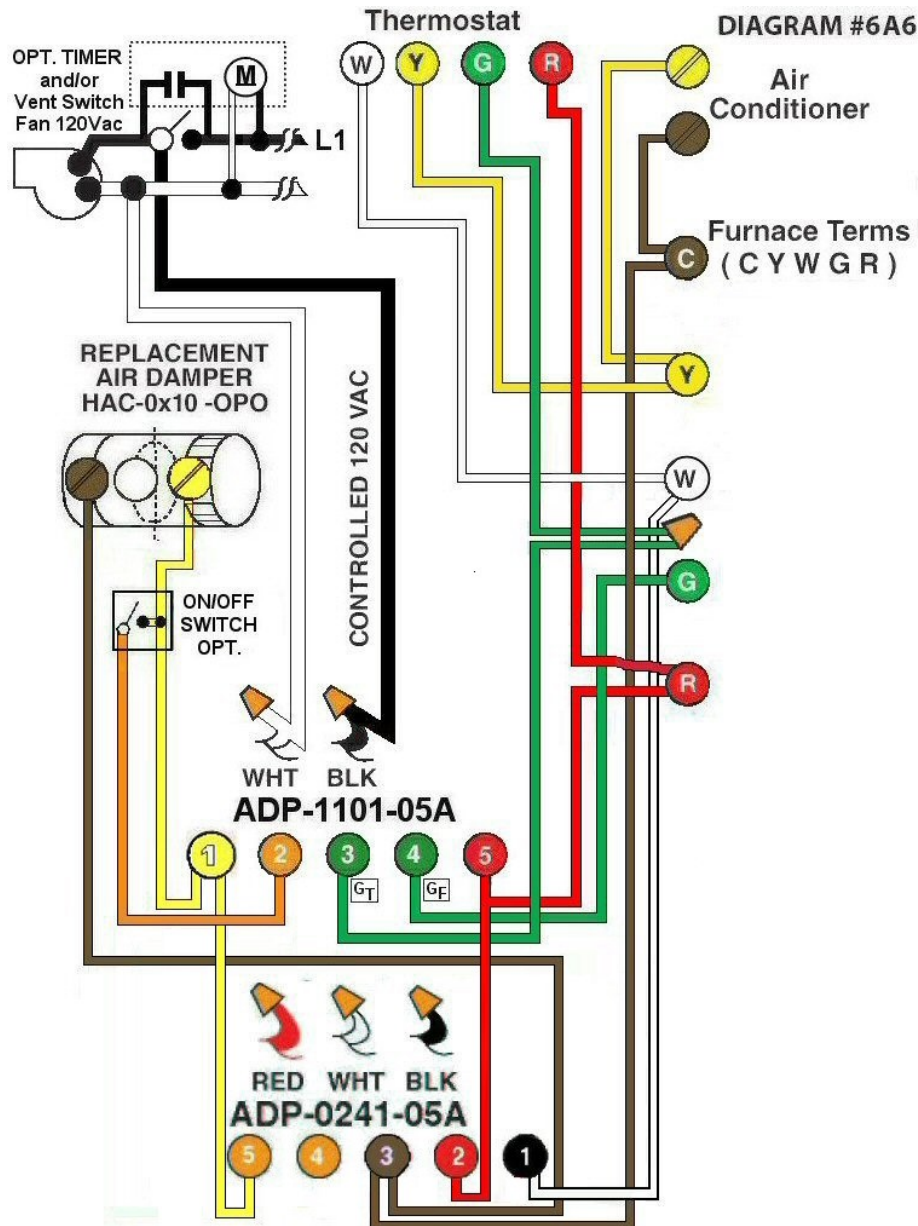


Diagram #6A6: Forced Air Furnace having a **replacement air** supply duct together with an **exhaust fan** controlled by a designated **ventilation switch and/or bathroom timer**.

1. **Replacement Air Control Damper (HAC-0x10-OPO) - (Power Open)**
2. Ventilation Switch and/or bathroom timer to supply **Controlled 120Vac** to furnace area.
3. Relay Adaptor (**ADP-1101-05A**) to function as a control centre.
4. Relay Adaptor (**ADP-0241-05A**) to open damper during heating cycle.

OPERATION:

1. Replacement Damper opens to provide fresh air during the **ventilation and heating cycle**.
2. **Ventilation Switch and/or bathroom timer** turns on Ventilation Fan, opens Replacement Air Damper and turns on Furnace Fan simultaneously.
3. Damper will remain closed during manual furnace fan operation.
4. **On/Off Switch** connected to the Adaptors (as shown) allows manual control of the Replacement Air Damper to open as required.

Additional Colored Wiring diagrams are shown on the web at www.hoyme.com